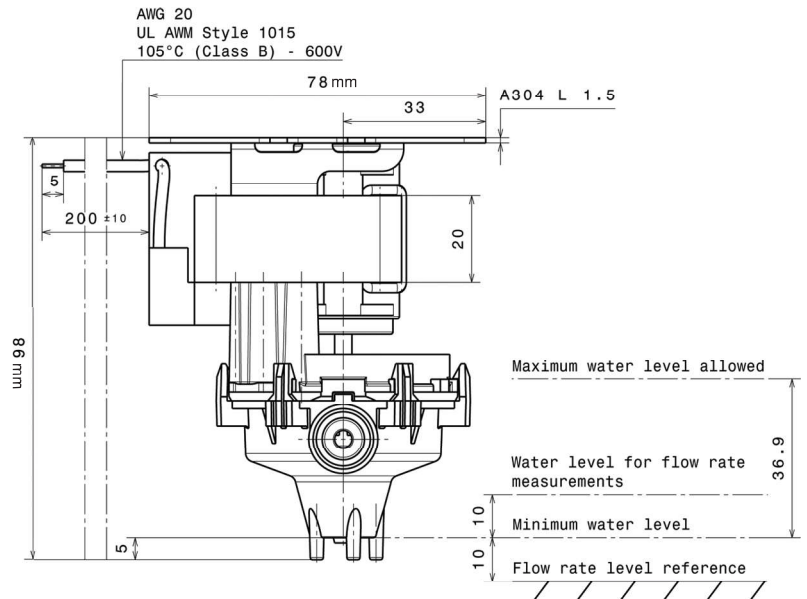


Centrifugal pump CP08

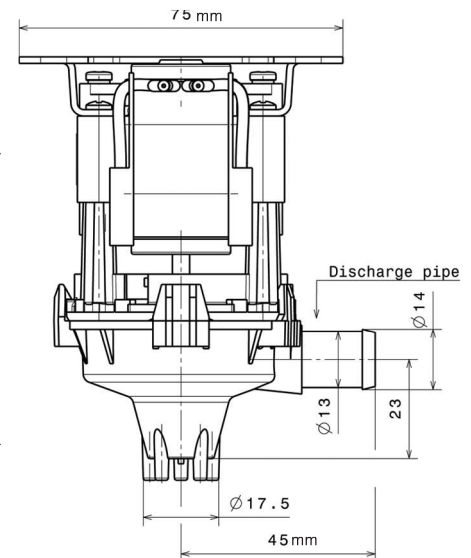
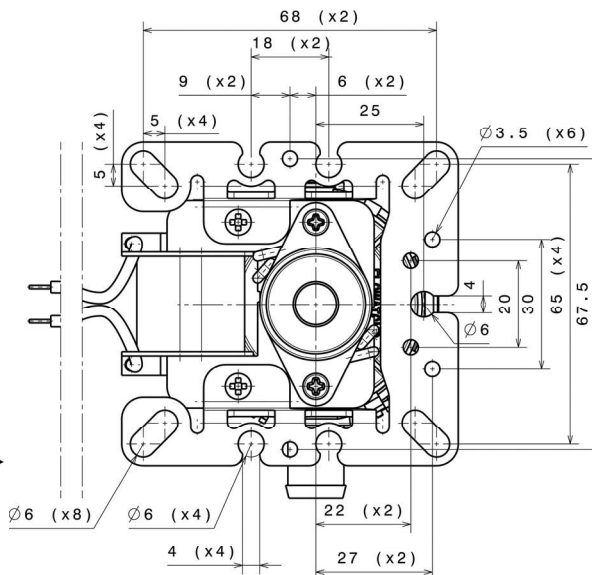
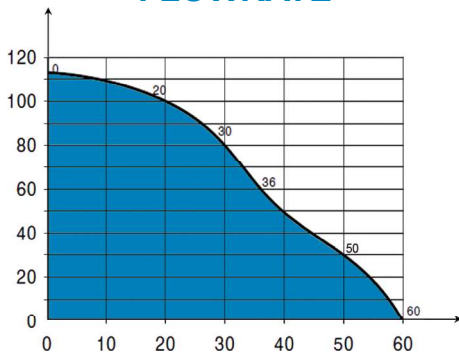
Universal centrifugal pump dedicated to split cassettes.

SICCOM

Ref: CP08SC6641



FLOWRATE



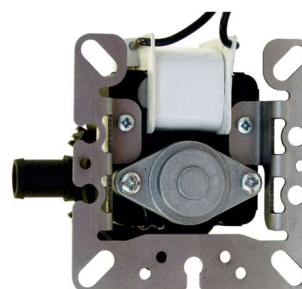
SPECIFICATIONS

Flowrate max	60 l/h
Discharge head	110 cm
Electrical power	8W
Voltage	220-240V 50/60Hz
Noise level*	
Protection rating	IP54
Temperature rise	66K
Operating cycle**	100%
Outlet tube	Ø 14 mm
Dimensions	82.5 x 76 x 97.3 mm

* Notation from 1 wave (≤ 20 dBA) to 6 waves (> 45 dBA)

** The pump is able to run 100% of the time if necessary.

BENEFIT



Universal plate

The CP08 mounting plate has been designed to fit the majority of cassette air conditioners on the market.

It can therefore easily replace another model of centrifugal pump at a cheaper price!



Authorized Distributor
APL ASIA CO., LTD.
11/129-132 Moo.5 Lamtukka Rd., T.Kookut, A.Lamtukka, Pathumthani 12130
Thailand. TEL. 0-2995-4461-3, FAX. 0-2995-4464
www.apl-asia.com
EMAIL: sales@apl-asia.com
LINE@: @APL-ASIA