



## Dual Gas Transmitter E2660-CO-NO



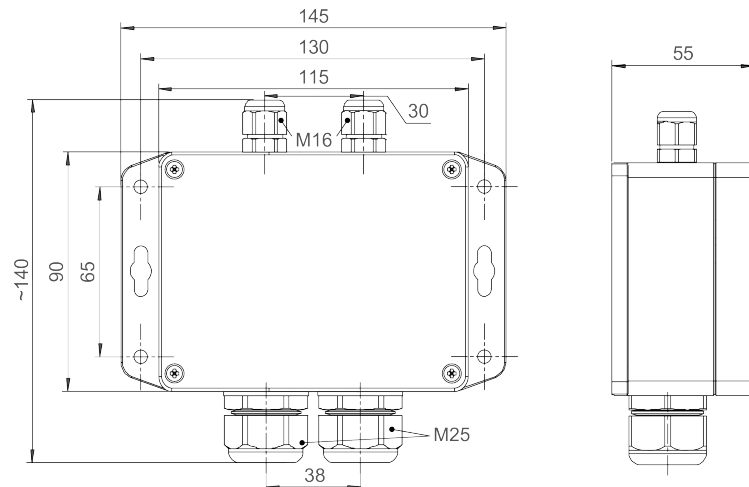
### Features

- CO and NO monitoring in underground parking
- Two analog outputs 4-20 mA and 0-10 V
- RS485 Modbus RTU digital interface
- Wall mount IP65 protected housing
- Attached or remote sensor
- Relay option

### Specifications

	CO	NO
Sensor type	Electrochemical	Electrochemical
Sampling method	Diffusion	Diffusion
Detection ranges	0-300, 0-1000 ppm	0...250 ppm
Max. overload	2000 ppm	1000 ppm
Resolution	1 ppm	1 ppm
Response time T90	ca. 30 s	<40 s
Maintenance interval	12 months	6 months
Sensor lifetime	> 10 years	> 12 months
Signal update	Every 1 second	
Self-diagnostics	Full functionality check at start-up	
Warm-up time	≤ 1 min	
Power supply	12 ... 36 VDC (default)	
	24 VAC or 230 VAC as options	
Power consumption	< 2 VA	
Digital interface	RS485, Modbus RTU protocol	
Analog outputs	2 × 4-20 mA / 0-10 V, user settable	
Output scale width	Recommended: 20-100% of the range; > 10 × resolution in any case	
Enclosure	Grey ABS plastic, wall mount, protection class IP65	
Dimensions	H90 × W145 × D55 mm	
Sensor heads	M25	
Remote sensor probe	Protection IP65, shielded cable default cable length 3.0 m	
Operating conditions	Explosion-safe areas; Non-aggressive atmosphere without condensation; 0,9...1,1 atm; -20...+50 °C, 0...85 %RH	
	<b>NOTE!</b> we offer technical solutions for extreme humidity, please contact us for details.	

### Dimensions



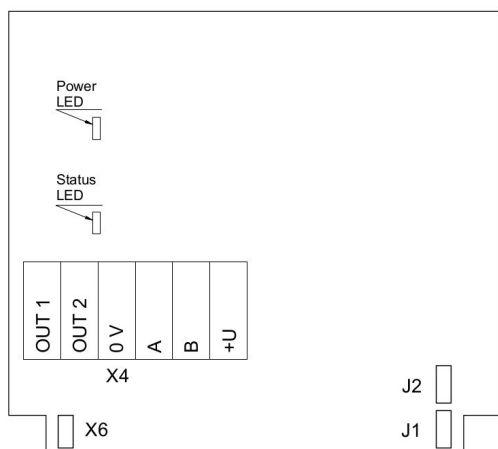
### Relay option (ordering code R)

Output relays	2 × SPST relays (closing contact), 250 VAC / 30 VDC, 5 A max
Default alarm setpoints	RE1: set 25 ppm, release 20 ppm RE2: set 10 ppm, release 8 ppm

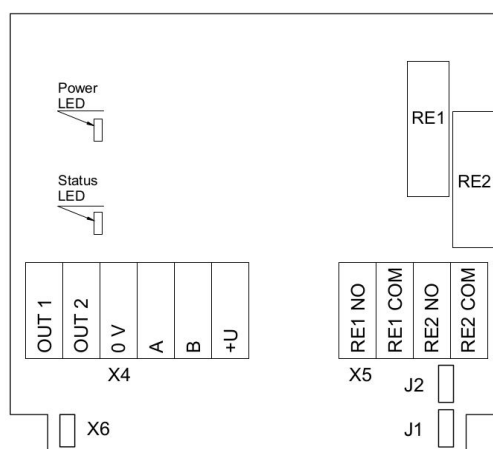
Ask for other versions or custom designed products



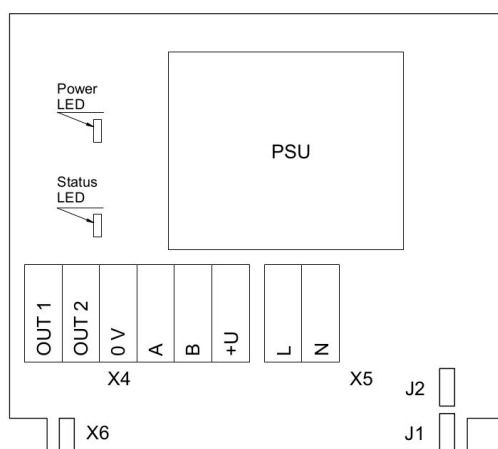
## Connection diagram



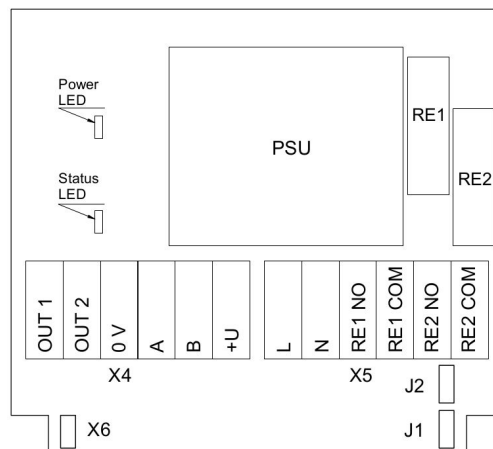
Version without PSU and relays



Version without PSU and with relays



Version with PSU and without relays



Version with PSU and relays

### Jumpers

<b>J1</b>	OUT1 type (open: 4-20 mA; closed 0-10 V)
<b>J2</b>	OUT2 type (open: 4-20 mA; closed 0-10 V)
<b>X6</b>	Reset Modbus network parameters to default

### X4 terminals

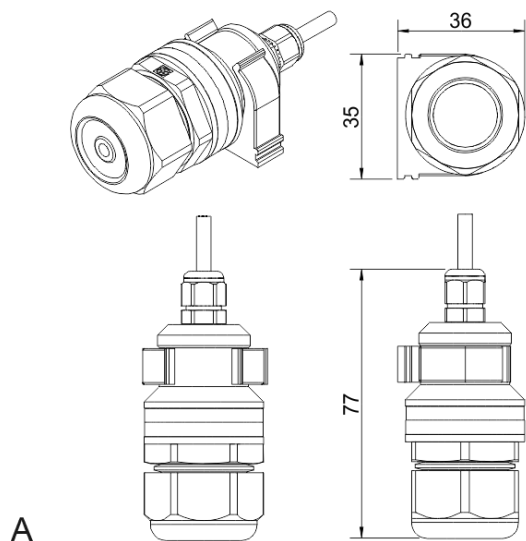
<b>OUT1</b>	4-20 mA / 0-10 V output
<b>OUT2</b>	4-20 mA / 0-10 V output
<b>0V</b>	0 V / 24 VAC Neutral (optional)
<b>A</b>	RS485 A / Data +
<b>B</b>	RS485 B / Data -
<b>+U</b>	+24 VDC / 24 VAC Phase (optional)

### X5 terminals (optional)

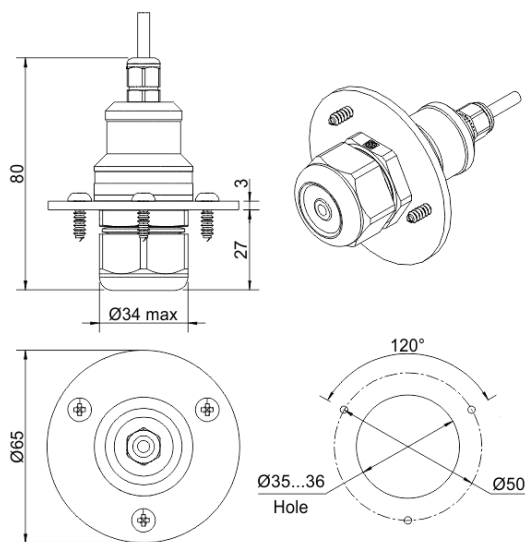
<b>L</b>	90...265 VAC Phase
<b>N</b>	90...265 VAC Neutral
<b>RE1 NO</b>	Relay 1, normally open terminal
<b>RE1 COM</b>	Relay 1, common terminal
<b>RE2 NO</b>	Relay 2, normally open terminal
<b>RE2 COM</b>	Relay 2, common terminal



## Remote probe



A  
Wall mount remote probe with fixing clamp (default version)



B  
Remote probe with rubber flange and three self-tapping screws (on request)

