



# Ethylene Detector-Transmitter E2648-C2H4



## Features

- Accurate and stable measurement
- Industrial IP66 wall mount housing
- Two analog outputs settable to 4-20 mA or 0-10 V
- RS485 Modbus RTU digital interface
- Two relays for alarm / ventilation control (option)
- Attached or remote sensor

## Specifications

Calibration	Ethylene C <sub>2</sub> H <sub>4</sub>
Sensor type	Electrochemical
Sampling method	Diffusion
Typical detection range	0...10 ppm    0...200 ppm    0...1500 ppm
Maximum overload	20 ppm    500 ppm    2000 ppm
Resolution	0.1 ppm    1 ppm    1 ppm
Response time T90	< 60 s    < 60 s    < 60 s
Sensor lifetime	> 2 years
Maintenance interval	6 months
Signal update	Every 1 second
Self-diagnostics	Full functionality check at start-up
Warm-up time	≤ 1 min
Power supply	12...36 VDC (default) 24 VAC or 230 VAC as options
Power consumption	< 2 VA
Digital interface	RS485, Modbus RTU protocol
Analog outputs	2 × 4-20 mA / 0-10 V, user settable
Output scale width	Recommended: 20-100% of the range; > 10 × resolution in any case
Enclosure	Die-cast aluminium, wall mount, protection class IP66
Dimensions	H120 × W125 × D57 mm
Operating environment	Industrial indoor and outdoor locations
Operating conditions	-20...+50°C, up to 100 %RH;; 0.9...1,1 atm Explosion-safe areas; Normal ambient oxygen level; Avoid exposure to corrosive gases or silicone containing products;

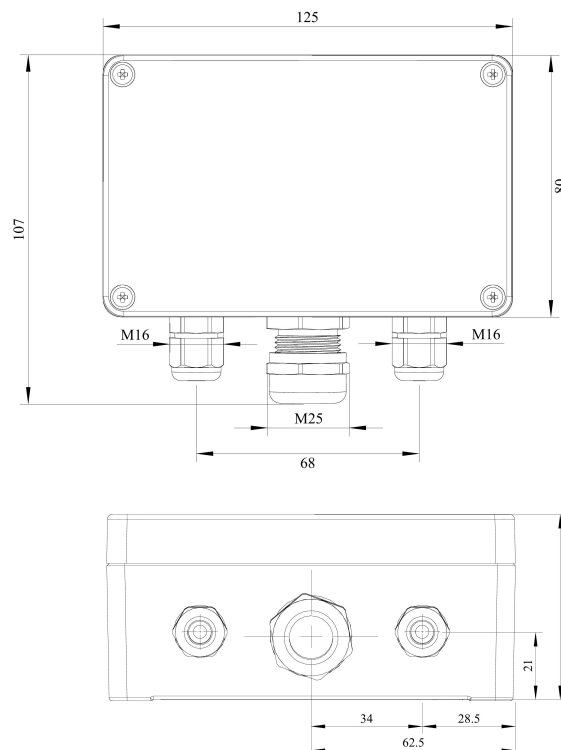
### Relay option (ordering code R)

Output relays	2 × SPST relays (closing contact), 250 VAC / 30 VDC, 5 A max
Default alarm setpoints	Determined by user within 5-95% of the detection range

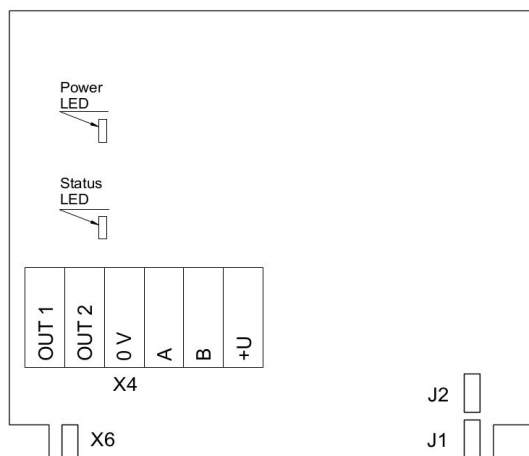
### Other options

Remote sensor probe	Protection IP65, shielded cable default cable length 3.0 m
---------------------	---

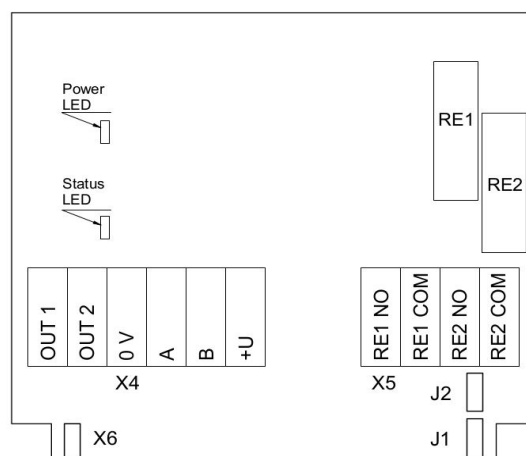
## Dimensions



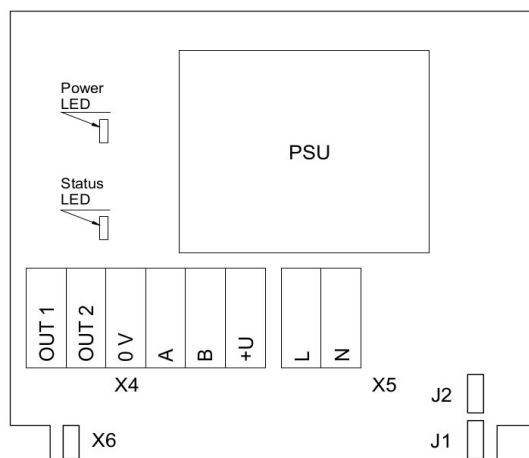
## Connection diagrams



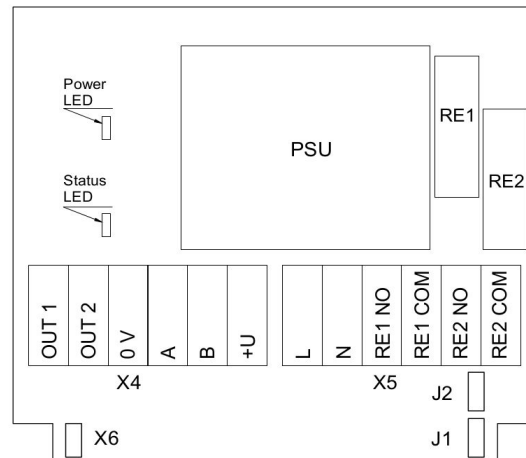
Version without PSU and relays



Version without PSU and with relays



Version with PSU and without relays



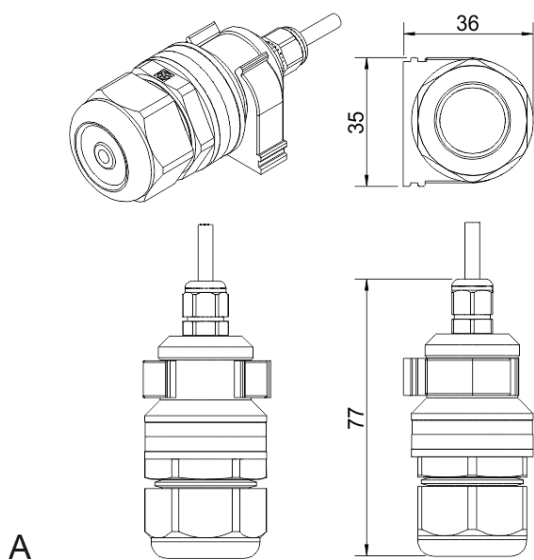
Version with PSU and relays

### Jumpers

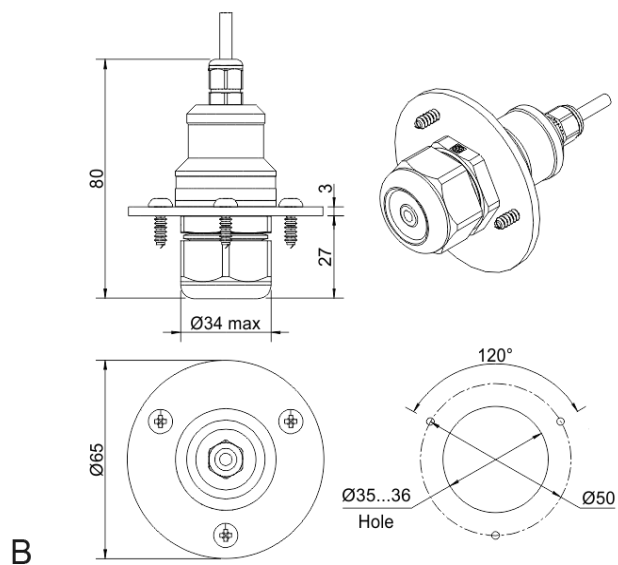
<b>J1</b>	OUT1 type (open: 4-20 mA; closed 0-10 V)
<b>J2</b>	OUT2 type (open: 4-20 mA; closed 0-10 V)
<b>X6</b>	Reset Modbus network parameters to default
<b>X4 terminals</b>	
<b>OUT1</b>	4-20 mA / 0-10 V output
<b>OUT2</b>	4-20 mA / 0-10 V output
<b>0V</b>	0 V / 24 VAC Neutral (optional)
<b>A</b>	RS485 A / Data +
<b>B</b>	RS485 B / Data -
<b>+U</b>	+24 VDC / 24 VAC Phase (optional)
<b>X5 terminals (optional)</b>	
<b>L</b>	90...265 VAC Phase
<b>N</b>	90...265 VAC Neutral
<b>RE1 NO</b>	Relay 1, normally open terminal
<b>RE1 COM</b>	Relay 1, common terminal
<b>RE2 NO</b>	Relay 2, normally open terminal
<b>RE2 COM</b>	Relay 2, common terminal



## Remote probe



Wall mount remote probe with fixing clamp (default version)



Remote probe with rubber flange and three self-tapping screws (on request)

