

PluraSens®



Solvent Vapor Detector-Transmitter

E2638-PID

User Manual



Table of contents

Acetone	4
Benzene	5
Ethanol	6
Ethyl acetate	7
Toluene	8
Xylene	9
Specifications	10
Product description	12
Safety requirements	12
Operating conditions	13
Installation guidelines	13
Mounting dimensions	14
Sensor probe handling	15
Gas sensor replacement procedures	15
Electrical connections	16
Correct and incorrect cabling for 24 VAC	18
Operation	19
PID (photoionization detector) technology	20
Properties of VOC: ionization energy, the correction factor	20
Calibration and maintenance	29
Delivery set	33
Order code for E2638-PID options	33
Configuring	34
Return to default settings	34
Modbus RTU Communication	35

RS485 communication interface	35
Communication parameters	35
Modbus holding registers	35
Warranty	40
Manufacturer contacts	40

Acetone

A colorless organic solvent with a characteristic pungent odor that is volatile and flammable with the chemical formula $(\text{CH}_3)_2\text{CO}$.

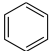
Synonyms/Trade Names: Dimethyl ketone, Ketone propane, 2-Propanone.

Chemical formula		$(\text{CH}_3)_2\text{CO}$
Molar weight		58
Relative gas density (to air)		2.0
Conversion*		1 ppm = 2.38 mg/m ³
Boiling point		56.11 °C
Low explosive limit (LEL), % vol. in air		2.5
Upper explosive limit (UEL), % vol. in air		12.8
Odor		Characteristic pungent smell
Hazards		Highly flammable. Slightly toxic in normal use. Irritant causing mild skin irritation and moderate to severe eye irritation. At high vapor concentrations, it may depress the CNS.
Exposure limits	8 hours (2000/39/EC)	1900 mg/m ³ / 500 ppm
	NIOSH REL TWA	590 mg/m ³ / 250 ppm
	IDLH (NIOSH)	2500 ppm [10%LEL]

Benzene

A colorless liquid with an aromatic odor that is highly flammable with the molecular formula C_6H_6 .

Synonyms/Trade Names: Benzol, Phenyl hydride.

Chemical formula		C_6H_6 
Molar weight		78
Relative gas density (to air)		2.69
Conversion*		1 ppm = 3.19 mg/m ³
Boiling point		80 °C
Low explosive limit (LEL), % vol. in air		1.2
Upper explosive limit (UEL), % vol. in air		7.8
Odor		Hyacinth-like odor
Hazards		Highly flammable. Irritant. Carcinogen. May cause dizziness; headache, nausea, staggering gait; anorexia, lassitude. Target organs: eyes, skin, respiratory system, blood, central nervous system, bone marrow.
Exposure limits (NIOSH REL)	Ca TWA	0.319 mg/m ³ /0.1 ppm
	STEL 15 minutes	1 ppm
	Ca IDLH	500 ppm

Terms and abbreviations

TWA: time-weighted average concentration for up to 8-hour workday during a 40-hour workweek.

STEL: 15-minute TWA exposure that should not be exceeded at any time during a workday.

IDLH (immediately dangerous to life or health): likely to cause death or immediate or delayed permanent adverse health effects escape from such an environment.

REL: recommended exposure limits.

NIOSH (National Institute for Occupational Safety and Health): the US federal agency responsible for conducting research and making recommendations for the prevention of work-related injury and illness.

Ethanol

A clear colorless liquid with a faintly sweet odor and pungent taste.

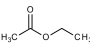
Synonyms/Trade Names: ethyl, alcohol.

Chemical formula	CH ₃ CH ₂ OH	
Molar weight	46	
Relative gas density (to air)	1,59	
Conversion*	1 ppm = 1.89 mg/m ³	
Boiling point	78.37°C	
Low explosive limit (LEL), % vol. in air	3 - 3.3	
Upper explosive limit (UEL), % vol. in air	19	
Odor	The characteristic smell of alcohol	
Hazards	Highly flammable. Gas/air mixtures are explosive. Inhalation of vapors leads to cough, headache, fatigue, and drowsiness. High concentrations may damage the fetus. Repeated high exposure may affect the liver and the nervous system.	
Exposure limits according to Commission Directive 2006/15/EC	TWA 8 hours	1210 mg/m ³ / 1000 ppm
	STEL 15 minutes	-

Ethyl acetate

A colorless organic compound with a sweet pear-like smell that is highly flammable.

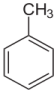
Synonyms/Trade Names: ethyl ester, acetic ester, EA, EtOAc.

Chemical formula	$C_4H_8O_2$		
Molar weight			88
Conversion*			1 ppm = 3.60 mg/m ³
Boiling point			77.1 °C
Low explosive limit (LEL), % vol. in air			2
Upper explosive limit (UEL), % vol. in air			11.5
Odor			Sweet "pear" smell
Hazards			Flammable. Short-term exposure to high levels of ethyl acetate results first in irritation of the eyes, nose, and throat, followed by headache, nausea, vomiting, sleepiness, and unconsciousness.
Exposure (NIOSH) limits	TWA 8 hours	1400 mg/m ³ /400 ppm	
	IDLH	2000 ppm [10%LEL]	

Toluene

A clear, colorless liquid with a sweet smell that is highly flammable.

Synonyms/Trade Names: methylbenzene, phenylmethane.

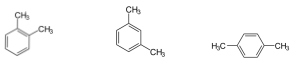
Chemical formula	$C_6H_5CH_3$		
Molar weight			92
Conversion*			1 ppm = 3.77 mg/m ³
Boiling point			110.7°C
Low explosive limit (LEL), % vol. in air			1.1 - 1.27
Upper explosive limit (UEL), % vol. in air			6.75-7.1
Odor			Characteristic "chemical" smell
Hazards	<p>Highly flammable. Gas/air mixtures are explosive. Inhalation possible effects: irritation eyes, nose; lassitude (weakness, exhaustion), confusion, euphoria, dizziness, headache; dilated pupils, lacrimation (discharge of tears); anxiety, muscle fatigue, insomnia; paraesthesia; dermatitis; liver, kidney damage</p>		
Exposure limits according to Commission Directive 2006/15/EC	TWA	192 mg/mm ³ / 50 ppm	
	STEL	384 mg/mm ³ / 100 ppm	

Xylene

A colorless, flammable liquid with a chemical smell. Xylenes are produced by the methylation of toluene and benzene.

The term is used for any of three isomers of dimethylbenzene, or a combination thereof.

Synonyms/Trade Names: xylol, dimethylbenzene.

Chemical formula	$C_6H_4(CH_3)_2$		
Isomers	 <i>ortho-xylene</i> <i>meta-xylene</i> <i>para-xylene</i>		
Molar weight	106		
Conversion*	1 ppm = 4.34 mg/m ³		
Boiling point	144.4 °C	139 °C	138.35 °C
Low explosive limit (LEL), % vol. in air	0.9 - 1.1		
Upper explosive limit (UEL), % vol. in air	6.0–7.0		
Odor	Characteristic "chemical" smell		
Hazards	Flammable. Inhaling can cause dizziness, headache, drowsiness, and nausea.		
Exposure limits according to Commission Directive 2000/39/EC	TWA 8 hours	221 mg/mm ³ / 50 ppm	
	STEL 15 minutes	442 mg/mm ³ / 100 ppm	

Conversion of ppm to mg/m³ is calculated for 25°C and 1 atm.

Specifications

Detected gases	VOCs with ionisation potential < 10.6 eV	
Sampling method	Diffusion	
Sensor type	Photoionization detector	
Calibration	Isobutylene	
Order code	E2608-PID-40	E2608-PID-200
Typical detection ranges	0...40 ppm (isobutylene)	0...200 ppm (isobutylene)
Resolution / digital unit	1 ppb	1 ppm
Response time T90	< 3 s	
Sensor lifetime	5 years	
Calibration interval	Monthly or more frequently depending on operating conditions	
Signal update	Every 1 second	
Load resistance	$R_L < (U_s - 2 V) / 22 \text{ mA}$ for 4-20 mA $R_L > 250 \text{ k}\Omega$ for 0-10 V mode	
Digital interface	RS485, Modbus RTU protocol No galvanic isolation	
Power supply	12...36 VDC (default), 24 VAC or 230 VAC as options	
Power consumption	< 2 VA	
Analog outputs	2 × 4-20 mA / 0-10 V, user settable	
Outputs assignment	OUT1 gas; OUT2 gas NOTE! for LCD version only output 1 is available	
Output scale width	> 10 × resolution Recommended: 20-100% of the detection range	
Relay outputs	2 × SPST, max 5 A, 30 VDC / 250 VAC	
Alarm setpoints	Determined by the user within 5-95% of the detection range	
Cable connections	Screwless spring-loaded terminals	
Enclosure	Grey ABS, wall mount, protection class IP65	
Dimensions	H90 × W145 × D55 mm (overall dimensions H140 × W145 × D55 mm)	

CE marking	According to 2014/30/EU and 2014/35/EU, EN 50491-4-1:2012 EN 61000-6-3:2020, EN 61326-1:2013(EMC, emissions) EN 61000-6-1:2019, EN 61000-6-2:2019(EMC, Immunity) EN 60079-29-1:2016, EN 60079-29-2:2015 and EN 60079-29-3:2014
Operating conditions	-40...+65°C; 0,9...1,1 atm 15...90% RH non-condensing, Explosion safe indoor areas, Non-aggressive atmosphere
Relay option	
Relay outputs	2 × SPST relays (closing contact), 250 VAC / 30 VDC, 5 A max
Alarm setpoints	Determined by user within 5-95% of the detection range
Signalling options	
Visual	Red and green LED
Acoustic alarm	Buzzer 85 dB
LCD indicator option	
Operating temperature	0...+50 °C
Display dimensions	72 × 36 mm
Number of digits	3.5, digit 7-segment
Character height	14 mm
Other features	Backlight
Other options	
Remote probe	Protection IP65, default cable length 3.0 m; max height 80 mm, max diameter 65 mm


Product description

E2638 series detectors-transmitters belong to the PluraSens® family of multifunctional measurement instruments. The instruments utilize gas sensors of various types with excellent repeatability, stability, and long lifetime.

The E2638 series provides two independent analog outputs OUT1 and OUT2, user-selectable to 4-20 mA or 0-10 V, proportional to gas concentrations. RS485 Modbus RTU digital communication interface allows easy instrument configuration and integration into various automation systems.

The following features are available as an option:

- Two relays RE1 and RE2 with closing contacts. Relay outputs can be used to switch alarm sirens, ventilation fans, shut-off valves, or other actuators,
- Acoustic (85 dB buzzer) and visual (red and green LED) signaling,
- 24 VAC or 230 VAC as options for power supply module,
- LCD indicator,
- Remote probe.

The version of your device is marked on the package. If the symbol  is marked on the equipment, consult the documentation for further information.

Safety requirements

Misuse will impair the protection of the product. Always adhere to the safety provisions applicable in the country of use.

Do not perform any maintenance operation with the power on. Do not let water or foreign objects inside the device.

Removal of the PCB from the enclosure voids the warranty. Do not touch the electronic components directly, as they are sensitive to static electricity.

Connection diagrams can be found in the electrical connections section. The device might not perform correctly or be damaged if the wrong power supply is connected.

External circuits connected to the equipment should have sufficient insulation rating according to the environmental conditions and equipment power.

A disconnecting device that is marked as such and easily accessible should be included in the installation of this product.

Operating conditions

The device should be used both in a non-hazardous area and in a basic electromagnetic environment, where the latter is defined in EN 61326-1. Avoid strong mechanical shock and vibrations. Avoid corrosive atmosphere and areas highly contaminated with dust, oil mist, etc. Keep the instrument away from direct sunlight. A sudden temperature or humidity change might affect the sensitivity of the sensor.

Installation guidelines

Before proceeding with the installation it is mandatory to read the Safety requirements section and make sure to comply with all listed instructions. Installation standards EN 60079-29-2 and EN 45544-4 are also recommended for further instructions and related information about the installation. During the installation of the detector-transmitter the following points must be considered:

- Application (air quality control or leakage detection)
- Properties of the space under investigation (room geometry, direction, and velocity of airflows, etc.),
- Solvent vapors are heavier than air, so the gas detector-transmitter should be placed near the floor or potential leakage or formation source.
- The device should be accessible for maintenance and repair.

The aforementioned conditions above will affect the coverage area of the device. However, the coverage area for a transmitter is usually between 2.5 to 5 meters radius.

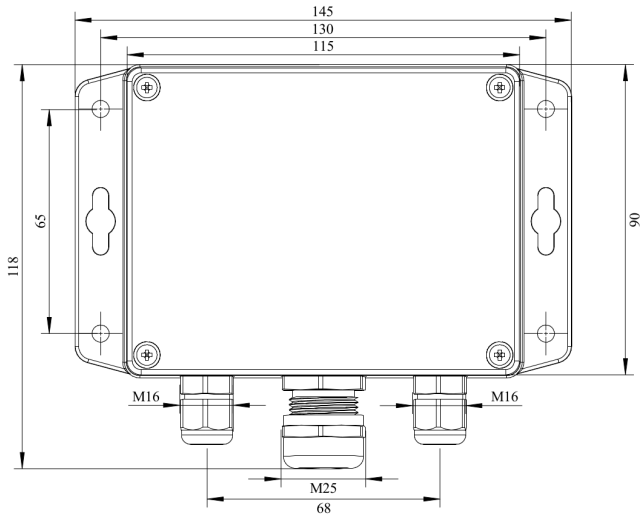
For early leakage detection, install the sensor as close as possible to the potential leakage sources (flanges, valves, pressure reducers, pumps, etc.), taking into consideration other points listed above.

For general area monitoring without definite leakage sources, the detectors should be distributed evenly in the room.

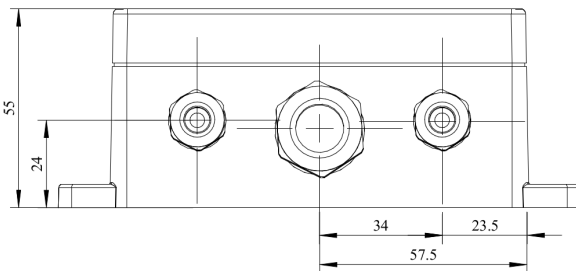
For personal safety control, the detectors are installed in the breathing zone (at the height of the head of people or animals). The recommended sensor position is vertical, pointing downwards.

For installing the device, attach the device to the wall using provided screws through the side mounting holes or key slots (see mountains dimensions).

Mounting dimensions



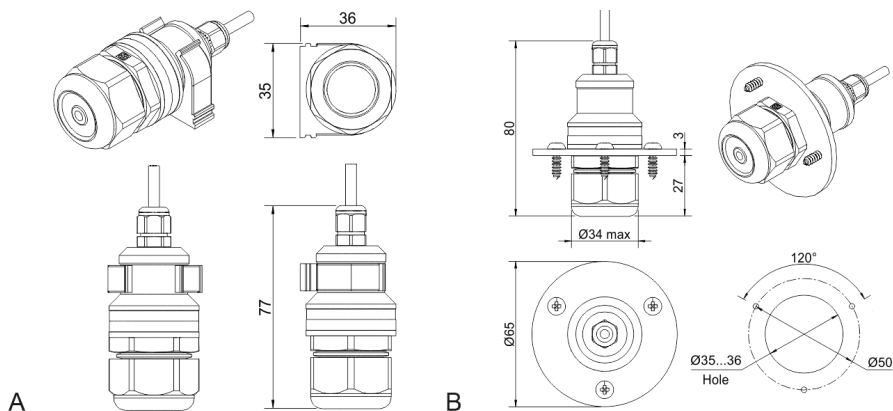
Front view



Bottom view

Sensor probe handling

The E2638 series devices are available with a remote probe. The remote probe is connected to the main unit with a shielded cable. The default remote probe cable length is 3 m.



- A) Wall mount remote probe with fixing clamp (default version),
 B) Remote probe with rubber flange and three self-tapping screws (on request)

The sensor probes of all types are equipped with a hydrophobic microporous PTFE filter to protect the sensor from dust, dirt, and water drops. The filter should be replaced if it gets strongly contaminated. To replace the PTFE filter, unscrew the sensor head cap and remove the old filter. Place a new filter into the cap and tighten it again.

NOTE! Never stab or press the filter near its center where the sensor is located since this may damage the sensor. Do not remove the filter as it may cause the device to show incorrect values and/or break the sensor.

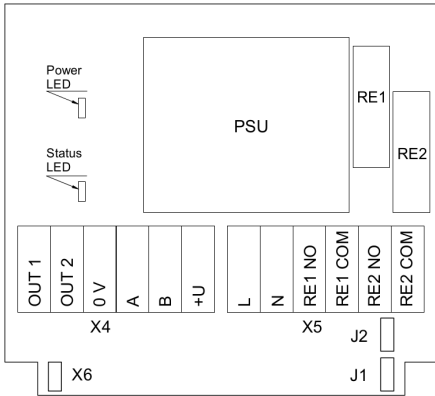
The recommended orientation of the sensor probe is vertical with the sensor tip pointing downwards. This prevents the possible accumulation of condensed water on the sensor protection filter.

Gas sensor replacement procedures

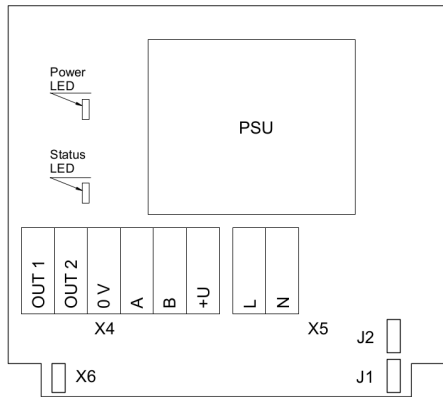
1. Remove the sensor head cap from the device (or the remote probe),
2. Remove the PTFE filter (if it is not removed within the cap),
3. Remove the O-ring rubber,
4. Detach the PID sensor from the device,
5. Insert the new PID sensor inside,
6. Put back the O-ring rubber, PTFE filter, and the head cap, respectively.

Electrical connections

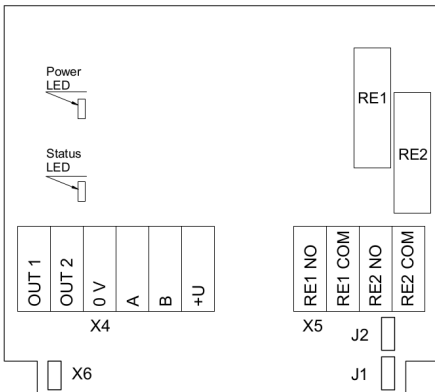
Unscrew four lid screws and detach the lid from the device. Use two M16 cable glands to let in the cables of the power supply and of the external devices. Without turning on the power, plug the power cable, and connect the analog/relay outputs and/or digital interface terminals to the necessary devices according to the relevant connection diagram.



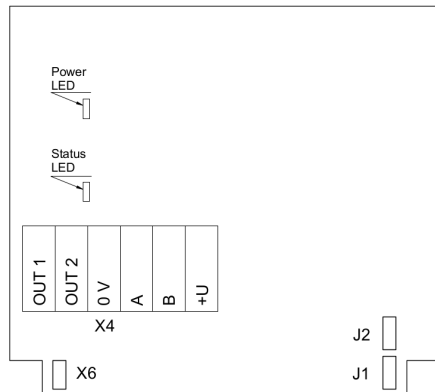
Version with PSU and relays



Version with PSU and without relays



Version without PSU and with relays



Version without PSU and relays

Jumpers	
J1	OUT1 type (open: 4-20 mA; closed 0-10 V)
J2	OUT2 type (open: 4-20 mA; closed 0-10 V)
X6	Reset Modbus network parameters to default
X4 terminals	
OUT1	4-20 mA / 0-10 V output
OUT2	4-20 mA / 0-10 V output
0V	0 V / 24 VAC Neutral (optional)
A	RS485 A / Data +
B	RS485 B / Data -
+U	+24 VDC / 24 VAC Phase (optional)
X5 terminals (optional)	
L	90...265 VAC Phase
N	90...265 VAC Neutral
RE1 NO	Relay 1, normally open terminal
RE1 COM	Relay 1, common terminal
RE2 NO	Relay 2, normally open terminal
RE2 COM	Relay 2, common terminal

The screwless quick connect spring terminals on the E2638 series devices are suitable for a wide range of wires with a cross-section of 0.2...1.5 mm². We recommend stripping the wire end by 8...9 mm and using wire end sleeves.

To connect the wire, insert the wire end into the terminal hole. To disconnect, push the spring-loaded terminal lever, pull the wire out, and release the lever.

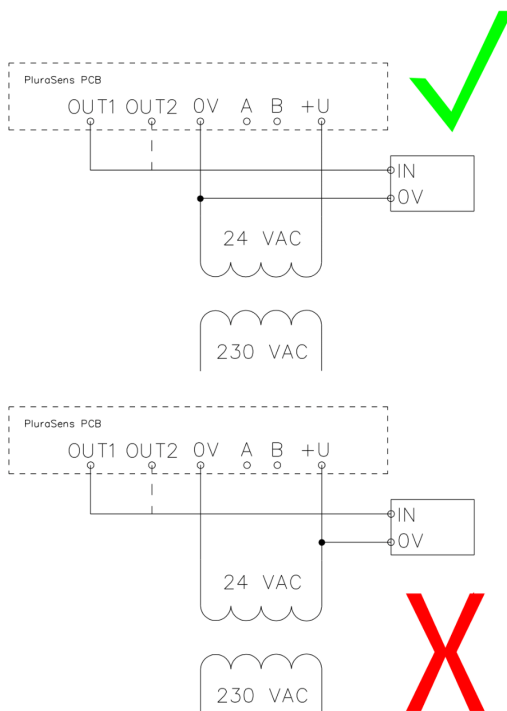
Use a twisted-pair cable, e.g. LiYY TP 2×2×0.5 mm² or CAT 5, to connect the device to the RS485 network. A and B on the device represent DATA+ and DATA- respectively, polarity must be respected when connecting to an external RS485 network.

Both analog outputs can be independently changed between 4-20 mA and 0-10 V type using jumpers J1 (OUT1) and J2 (OUT2). By closing pins on a specific jumper the related output is 0-10 V, with an open jumper the output is 4-20 mA. Power restart is required after changing the position of the jumpers.

NOTE! The outputs are not galvanically isolated from the external power supply and share a common 0V. Allowed load resistance limits are stated in the Specifications table. To power the instrument from an external power source, connect terminals 0V and +U to the source. If the integrated mains power supply module is used, connect terminals L and N to the mains.

NOTE! Actuator short-circuits should be avoided, to protect the instrument relays, use external fuses or safety switches.

Correct and incorrect cabling for 24 VAC



Operation

Turn on the power. The instrument warm-up time takes ≤ 1 minute after switching on and the final sensor stabilization time to maximum accuracy takes < 5 minutes. The operating status is indicated by the LED on the PCB of the device. The control LED (red) response to different processes is presented in the following table:

Mode	LED mode
During calibration mode or sensor heating period (if activated)	0.5 Hz (50% on, 50% off)
Relay 1 turned on	Blinking 1 Hz (50% on, 50% off)
Relay 2 turned on	Blinking 2 Hz (50% on, 50% off)
During Modbus communication cycle	Short on-off pulses
Normal operating/measurement	Continuously on or off

Make sure that the detector-transmitter is properly mounted, the external devices connected, power LED (green) on and control LED (red) constantly lit. Place the lid back and fix it with the screws. The device is ready to use.

PID (photoionization detector) technology

The gas under investigation diffuses into the sensor's testing cell, equipped with a source of high energy UV light (10.6 eV Krypton lamp) and electrodes. Exposed to UV light, organic molecules decompose to form ions, which are attracted by the electrodes. The measured resulting current is proportional to the VOC concentration.

Properties of VOC: ionization energy, the correction factor

Sensors used in E2638-PID are calibrated using isobutylene, but the PID is a broadband VOC detector, with a sensitivity that differs for each VOC. If you know what VOC you are measuring, then the table below will allow you to calculate the concentration for your specific VOC. Only the most common substances are listed in the table, if you can't find your compound of concern, please contact us.

NOTE! These are approximate values, so for the best accuracy, you should calibrate with the relevant VOC.

The table includes the following columns:

1. The most common name for the VOC or other substances,
2. CAS No; You can find the VOC using the CAS No,
3. Brutto-formula,
4. Ionization energy (IE), (eV)
5. Relative Response/ Correction Factor (CF), Also called the Response Factor (RF). Multiply the displayed concentration by the Relative Response/CF/RF to calculate the actual concentration of the VOC.
6. Minimum Detection Level (MDL) Also called Minimum Detectable Quantity (MDQ). The typical lowest concentration that can be detected. The sensor used in E2638-PID-40 has greater sensitivity than that in E2638-PID-200, so the MDL for the E2638-PID-40 will be much less than the MDL for the E2638-PID-200.

The Relative Response/CF/RF is measured in dry air; high humidity will reduce this factor by 30% to 50%, so the CF/RF should be increased in high humidities. Relative sensitivity is the inverse of the correction factor, specifying the percent response of the VOC, relative to isobutylene. If less than 100%, then the VOC is less responsive than isobutylene; if the relative sensitivity is greater than 100%, then the VOC is more responsive than isobutylene. Relative sensitivity (%) is specified in the same way as cross-sensitivity for toxic gas sensors.

VOC response

The PID can not measure all VOCs or gases, two types of VOCs are not measured:

NR: No response. The lamp does not ionize the VOC and the VOC cannot be measured.

NV: The vapor pressure of the VOC at 20°C is less than a few ppm, so this Semi-Volatile Organic Compound (SVOC) cannot be measured.

NA: Not available

Occasionally you will be measuring a mixture of VOCs. If the total concentration is within the linear range of your PID, then it is reasonable to assume that the concentrations are additive without interference between the different VOCs. Remember that if you are measuring a combination of VOCs, then the accurate measurement of one of these VOCs will be difficult; without careful data analysis, you will get only a CF averaged measurement. Be cautious when reporting actual VOC concentration if you know that there may be several VOCs present.

Balance gas

The relative response is measured in laboratory air, with 20.9% oxygen, balanced nitrogen. Some gases absorb UV light without causing any PID response (e.g. methane, ethane). In ambient atmospheres where these gases are present, the measured concentration of target gas will be less than is actually present.

Methane absorbs UV strongly, so for accurate measurements in methane containing atmospheres, calibrate with a calibration gas containing the expected methane concentration. 50% of LEL methane reduces the reading by up to 50%. Gases such as nitrogen and helium do not absorb UV and do not affect the relative response.

The correction factor for a gas mix containing PID detectable gases A, B, C... with response factors RF(A), RF(B), RF(C), in relative proportions a: b: c... is given by:

$$CF(\text{mix}) = 1 / [(a/CF(A) + b/CF(B) + c/CF(C)...)]$$

Accuracy of the Table: This table is for indication only. Table accuracy is 1 to 2 digits only, so when calculating concentration for a specific VOC, only specify to 1 or 2 digits.

Index	Chemical name	Alternative name	Formula	CAS no.	IE, eV	Response Factor (RF) 10.6 eV	E2638-PID-40 (ppb)	E2638-PID-200 (ppb)
1	Acetaldehyde		C ₂ H ₄ O	75-07-0	10.23	5.5	25	480
2	Acetamide		C ₂ H ₅ NO	60-35-5	9.69	2		
3	Acetic acid		C ₂ H ₄ O ₂	64-19-7	10.66	28	180	3615
4	Acetic anhydride		C ₄ H ₆ O ₃	108-24-7	10.14	4	20	400

5	Acetone	2-propanone, dimethyl ketone	C ₃ H ₆ O	67-64-1	9.69	1.17	5	70
6	Acetonitrile		CH ₃ CN	75-05-8	12.2	NR		
7	Acetophenone	1-phenylethan-1- one, methyl phenyl ketone	C ₈ H ₈ O	98-86-2	9.29	0.6		
9	Acetylene	ethyne	C ₂ H ₂	74-86-2	11.4	NR		
10	Acrolein	propenal	C ₃ H ₄ O	107-02-8	10.22	3.2	20	400
11	Acrylic Acid	propenoic acid	C ₃ H ₄ O ₂	79-10-7	10.6	21	15	275
Index	Chemical name	Alternative name	Formula	CAS no.	IE, eV	Response Factor (RF) 10.6 eV	E2638- PID-40 (ppb)	E2638- PID-200 (ppb)
12	Acrylonitrile		C ₃ H ₃ N	107-13-1	10.91	NR		
13	Alkanes, n-, C6+		C _n H _{2n+2}	N/A	~10	1.2		
15	Allyl alcohol		C ₃ H ₆ O	107-18-6	9.63	2.3	10	200
16	Allyl bromide	3-bromopropene	C ₃ H ₅ Br	106-95-6	9.96	3		
17	Allyl chloride	3-chloropropene	C ₃ H ₅ Cl	107-05-1	10.05	4.5	20	450
18	Ammonia		NH ₃	7664-41-7	10.18	8.5	40	850
19	Amyl acetate		C ₇ H ₁₄ O ₂	628-63-7	9.9	1.8	10	180
20	Amyl alcohol		C ₅ H ₁₂ O	71-41-0	10	2.6	15	320
21	Amyl alcohol,tert-		C ₅ H ₁₂ O	75-85-4	9.8	1.5		
22	Aniline		C ₆ H ₇ N	62-53-3	7.7	0.5	3	50
23	Anisole		C ₇ H ₈ O	100-66-3	8.21	0.59	2	50
24	Arsine		AsH ₃	7784-42-1	9.89	2.5	15	250
25	Asphalt, petroleum fumes			8052-42-4	~9	1	5	100
26	Benzaldehyde		C ₇ H ₆ O	100-52-7	9.49	0.7	5	85
27	Benzene		C ₆ H ₆	71-43-2	9.24	0.5	3	50
28	Benzoic acid		C ₇ H ₆ O ₂	65-85-0	9.3	0.7		
29	Benzyl acetate		C ₉ H ₁₀ O ₂	140-11-4	~9	0.6		
30	Benzyl alcohol		C ₇ H ₈ O	100-51-6	8.26	1	6	125
31	Camphor		C ₁₀ H ₁₆ O	76-22-2	8.76	0.4		
32	Carbon dioxide		CO ₂	124-38-9	13.77	NR	0	0
33	Carbon disulfide		CS ₂	75-15-0	10.08	1.4	7	140
34	Carbon monoxide		CO	630-08-0	14.01	NR	0	0
35	Carbon tetrabromide	tetrabromometh ane	CBR ₄	558-13-4	10.31	3	15	300

36	Carbon tetrachloride	R-10, tetrachloromethane	CCl ₄	56-23-5	11.47	NR		
37	Chloroform		CHCl ₃	67-66-3	11.42	NR		
38	Acetaldehyde		C ₁₄ H ₂₆ O ₂	97-89-2	~9	0.9		
39	Coumarin		C ₉ H ₆ O ₂	91-64-5	~9	0.4		
40	Creosote		n/a	8021-39-4	~9	1		
41	Cresol, m-	3-methylphenol	C ₇ H ₈ O	108-39-4	8.36	2.2	5	105
42	Cresol, o-	2-methylphenol	C ₇ H ₈ O	95-48-7	8.14	1.1	5	105
43	Cresol, p-	4-methylphenol	C ₇ H ₈ O	106-44-5	8.31	1.1	5	105
44	Cycloalkanes		N/A	N/A	~10	1.5		
45	Cyclobutene		C ₄ H ₆	822-35-5	9.43	3		
46	Cycloheptane		C ₇ H ₁₄	291-64-5	9.82	1.1		
47	Cyclohexane		C ₆ H ₁₂	110-82-7	9.98	1.3	7	130
48	Cyclohexanethiol		C ₆ H ₁₂ S	1569-69-3	~9	0.5		
49	Cyclohexanol		C ₆ H ₁₂ O	108-93-0	10	1.6	15	300
50	Cyclohexene		C ₆ H ₁₀	110-83-8	8.95	0.9	5	75
51	Cyclopentadiene		C ₅ H ₆	542-92-7	8.56	0.8		
Index	Chemical name	Alternative name	Formula	CAS no.	IE, eV	Response Factor (RF) 10.6 eV	E2638-PID-40 (ppb)	E2638-PID-200 (ppb)
52	Cyclopentane		C ₅ H ₁₀	287-92-3	10.52	10	20	400
53	Cyclopentene		C ₅ H ₈	142-29-0	9.01	1.5		
54	Decane, n-		C ₁₀ H ₂₂	124-18-5	9.65	1.2	5	100
55	Decanol		C ₁₀ H ₂₂ O	112-30-1		1.2		
56	Diethyl ether	ethyl ether	C ₄ H ₁₀ O	60-29-7	9.53	1.1	4	90
57	Diethylamine		C ₄ H ₁₁ N	109-89-7	8.01	1.4	5	100
58	Diesel fuel			68334-30-5	8	0.8	4	75
59	Dimethylamine		C ₂ H ₇ N	124-40-3	8.24	1.5	7	140
60	Diphenyl ether	phenyl ether	C ₁₂ H ₁₀ O	101-84-8	8.09	1.5	4	80
61	Dodecane		C ₁₂ H ₂₄	112-40-3	~8.8	1		
62	Dodecanol		C ₁₂ H ₂₆ O	112-53-8		0.9	5	90
63	Ethane		C ₂ H ₆	74-84-0	11.56	NR		
64	Ethanol	alcohol,ethyl alcohol	C ₂ H ₆ O	64-17-5	10.43	11	45	870
65	Ethyl acetate		C ₄ H ₈ O ₂	141-78-6	10.01	4.5	20	360
66	Ethyl acrylate		C ₅ H ₈ O ₂	140-88-5	10.3	2.3	10	200
67	Ethyl benzoate		C ₉ H ₁₀ O ₂	93-89-0	8.9	0.9		

68	Ethyl butyrate		C ₆ H ₁₂ O ₂	105-54-4	~9.9	1.4	5	100
69	Ethylamine		C ₂ H ₇ N	75-04-7	8.86	1	5	100
70	Ethylbenzene		C ₈ H ₁₀	100-41-4	8.76	0.56	3	50
71	Ethylcyclohexane		C ₈ H ₁₆	1678-91-7	9.54	0.8		
72	Ethylene	ethene	C ₂ H ₄	74-85-1	10.51	8	40	800
73	Ethylene glycol		C ₂ H ₆ O ₂	107-21-1	10.16	9	100	2000
74	Ethylamine		C ₂ H ₇ N	75-04-7	8.86	1	5	100
75	Formaldehyde		CH ₂ O	50-00-0	10.87	NR		
76	Formamide		CH ₃ ON	75-12-7	10.2	2	10	200
77	Formic acid		CH ₂ O ₂	64-18-6	11.05	NR		
78	Furan		C ₄ H ₄ O	110-00-9	8.88	0.4		
79	Hexanoic acid		C ₆ H ₁₂ O ₂	142-62-1	10.12	4		
80	Hexanol		C ₆ H ₁₄ O	111-27-3	9.89	2		
81	Hexene, 1-		C ₆ H ₁₂	592-41-6	9.44	0.98	5	90
82	Hydrazine		H ₄ N ₂	302-01-2	8.93	3	15	300
83	Hydrazoic acid		HN ₃	7782-79-8	10.72	NR		
84	Hydrogen		H ₂	1333-74-0	15.43	NR		
85	Hydrogen bromide		HBr	10035-10-6	11.62	NR		
86	Hydrogen chloride		HCl	7647-01-0	12.74	NR		
87	Hydrogen cyanide		HCN	74-90-8	13.6	NR		
88	Hydrogen fluoride		HF	7664-39-3	15.98	NR		
89	Hydrogen iodide		HI	10034-85-2	10.39	5		
90	Hydrogen peroxide		H ₂ O ₂	7722-84-1	10.58	4	20	400
Index	Chemical name	Alternative name	Formula	CAS no.	IE, eV	Response Factor (RF) 10.6 eV	E2638-PID-40 (ppb)	E2638-PID-200 (ppb)
126	Hydrogen selenide		H ₂ Se	7783-07-5	9.88	2		
127	Hydrogen sulfide		H ₂ S	7783-06-4	10.46	4		
128	Hydroquinone		C ₆ H ₆ O ₂	123-31-9	7.94	0.8	4	80
129	Isooctane	2,2,4-trimethylpentane	C ₈ H ₁₈	540-84-1	9.86	1.1	5	100
130	Isooctanol		C ₈ H ₁₈ O	26952-21-6	~9.8	1.7	9	170
131	Isopentane		C ₅ H ₁₂	78-78-4	10.32	4	30	600
132	Isopentanol		C ₅ H ₁₂ O	137-32-6	9.86	2		
133	Isopentene		C ₅ H ₁₀	563-46-2	9.12	0.8		
134	Iodoform	triiodomethane	CHI ₃	75-47-8	9.25	1.5	8	150
135	Iodomethane	methyl iodide	CH ₃ I	74-88-4	9.54	0.4	2	40

136	Isoalkanes, C10-C13		C ₈ H ₁₈ O	68551-17-7	~9.6	1		
137	Isobutane		C ₄ H ₁₀	75-28-5	10.57	8	40	800
138	Isobutanol		C ₄ H ₁₀ O	78-83-1	10.12	3	20	350
139	Isobutyl acetate		C ₆ H ₁₂ O ₂	110-19-0	9.9	2	10	230
140	Isobutyl acrylate		C ₇ H ₁₂ O ₂	106-63-8	~9.5	1.2	7	130
141	Isooctane	2,2,4-trimethylpentane	C ₈ H ₁₈	540-84-1	9.86	1.1	5	100
142	Isooctanol		C ₈ H ₁₈ O	26952-21-6	~9.8	1.7	9	170
143	Isopentane		C ₅ H ₁₂	78-78-4	10.32	4	30	600
144	Isopentanol		C ₅ H ₁₂ O	137-32-6	9.86	2		
145	Isopentene		C ₅ H ₁₀	563-46-2	9.12	0.8		
146	Isoprene	2-methyl-1,3-butadiene	C ₅ H ₈	78-79-5	8.85	0.8	3	70
147	Isopropanol	IPA, 2-propanol	C ₃ H ₈ O	67-63-0	10.17	4	22	440
148	Isovaleraldehyde		C ₅ H ₁₀ O	590-86-3	9.72	1.3		
149	Isovaleric Acid		C ₅ H ₁₀ O ₂	503-74-2	~10.2	5.5		
150	Methane	natural gas	CH ₄	74-82-8	12.51	NR		
151	Methanol		CH ₄ O	67-56-1	10.85	NR	1000	20000
152	Methyl ethyl ketone	MEK, Butan-2-one	C ₄ H ₈ O	78-93-3	9.51	0.96	4	80
153	Methyl ethyl ketone peroxides	MEKP	C ₈ H ₁₈ O ₆	1338-23-4	~9	0.8	4	80
154	Methyl formate		C ₂ H ₄ O ₂	107-31-3	10.82	NR		
155	Methyl mercaptan		CH ₄ S	74-93-1	9.44	0.7	4	70
156	Methylamine		CH ₅ N	74-89-5	8.97	1.5	7	140
157	Mineral oil			8042-47-5	~9	0.8	4	80
158	Mineral spirits	Stoddard solvent, Varsol, Viscor		64475-85-0	~9	0.8	4	80
159	Naphthalene		C ₁₀ H ₈	91-20-3	8.14	0.4	2	45
160	Neopentane	tetramethylmethane	C ₅ H ₁₂	207-343-7	10.21	3		
161	Neopentyl alcohol		C ₅ H ₁₂ O	75-84-3	9.72	2		
162	Nitric oxide		NO	10102-43-9	9.27	8	40	800
163	Nitrobenzene		C ₆ H ₅ NO ₂	98-95-3	9.92	1.7	10	170
164	Nitroethane		C ₂ H ₅ NO ₂	79-24-3	10.88	NR		
Index	Chemical name	Alternative name	Formula	CAS no.	IE, eV	Response Factor (RF) 10.6 eV	E2638-PID-40 (ppb)	E2638-PID-200 (ppb)

165	Nitrogen trichloride		NCl_3	10025-85-1	10.1	1	5	100
166	Nitrogen		N_2	7727-37-9	15.58	NR		
167	Nitrogen dioxide		NO_2	10102-44-0	9.58	10	50	1000
168	Nitrogen trifluoride		NF_3	7783-54-2	12.97	NR		
169	Nitromethane		CH_3NO_2	75-52-5	11.08	NR		
170	Nitropropane, 1-		$\text{C}_3\text{H}_7\text{NO}_2$	108-03-2	10.81	NR		
171	Nitropropane, 2-		$\text{C}_3\text{H}_7\text{NO}_2$	79-46-9	10.71	NR		
172	Nitrous oxide		N_2O	10024-97-2	12.89	NR		
173	Nonane		C_9H_{20}	111-84-2	9.72	1.4	6	130
174	Nonanol (mixed isomers)		$\text{C}_9\text{H}_{20}\text{O}$	143-08-8	~9.8	1.2		
175	Nonene (mixed isomers)		C_9H_{18}	27215-95-8	~9.3	0.6		
176	Nonene, 1-		C_9H_{18}	124-11-8	~9.4	0.6		
177	Octane		C_8H_{18}	111-65-9	9.8	1.6	8	160
178	Octanol (mixed isomers)	capryl alcohol, octyl alcohol	$\text{C}_8\text{H}_{18}\text{O}$	111-87-5	~9.8	1.5		
179	Octene (mixed isomers)		C_8H_{16}	25377-83-7	~9.4	0.7		
180	Octene, 1-		C_8H_{16}	111-66-0	9.43	0.7	3	70
181	Oxalic acid		$\text{C}_2\text{H}_2\text{O}_4$	144-62-7	11.2	NR		
182	Oxalyl bromide		$\text{C}_2\text{Br}_2\text{O}_2$	15219-34-8	10.49	5		
183	Oxydiethanol, 2,2-	diethylene glycol	$\text{C}_4\text{H}_{10}\text{O}_3$	111-46-6	~10. 3	2	20	400
184	Oxygen		O_2	7782-44-7	12.07	NR		
185	Ozone		O_3	10028-15-6	12.52	NR		
186	Paraffins, normal			64771-72-8	~9.5	1	5	100
187	Paraldehyde		$\text{C}_6\text{H}_{12}\text{O}_3$	123-63-7	~9.7	2.2		
188	Pentane		C_5H_{12}	109-66-0	10.35	7	40	800
189	Pentanoic acid		$\text{C}_5\text{H}_{10}\text{O}_2$	109-52-4	10.53	8		
190	Pentanol, 2-		$\text{C}_5\text{H}_{12}\text{O}$	6032-29-7	9.78	2		
191	Pentanol, 3-		$\text{C}_5\text{H}_{12}\text{O}$	584-02-1	9.76	1.7		
192	Pentene, 1-		C_5H_{10}	109-67-1	9.49	0.92		
193	Pentyne, 1-		C_5H_8	627-19-0	10.1	3		
194	Peracetic acid		$\text{C}_2\text{H}_4\text{O}_3$	79-21-0	~10. 5	2	10	200
195	Petroleum ether	ligroin, VM&P naphtha, benzine		8032-32-4	~10	0.9		
196	Phenol	hydroxybenzene	$\text{C}_6\text{H}_6\text{O}$	108-95-2	8.51	1.2	6	120

197	Phosgene		COCl ₂	75-44-5	11.55	NR		
198	Phosphine		PH ₃	7803-51-2	9.96	2	10	200
199	Propane-1,2-diol	propylene glycol	C ₃ H ₈ O ₂	57-55-6	10	3	50	1000
200	Acetaldehyde		C ₃ H ₉ NO	156-87-6	~9.5	1.5		
201	Propene	propylene	C ₃ H ₆	115-07-1	9.73	1.4	7	140
202	Propiolic acid	2-propynoic acid	C ₃ H ₂ O ₂	471-25-0	10.45	8		
203	Propionaldehyde	propanal, propional	C ₃ H ₆ O	123-38-6	9.95	1.7	8	169
Index	Chemical name	Alternative name	Formula	CAS no.	IE, eV	Response Factor (RF) 10.6 eV	E2638- PID-40 (ppb)	E2638- PID-200 (ppb)
204	Propionic acid		C ₃ H ₆ O ₂	79-09-4	10.44	8	40	800
205	Propyl acetate, n-		C ₅ H ₁₀ O ₂	109-60-4	10.04	3	13	250
206	Propyl iodide	Iodopropane	C ₃ H ₇ I	107-08-4	9.26	1		
207	Propylamine, n-		C ₃ H ₉ N	107-10-8	8.5	1.1		
208	Propylbenzene (all isomers)		C ₉ H ₁₂	74296-31-4	8.7	0.5		
209	Propylene carbonate		C ₄ H ₆ O ₃	108-32-7	~10.5	15		
210	Propylene dinitrate		C ₃ H ₆ N ₂ O ₆	6423-43-4	~11	NR		
211	Propylene glycol ethyl ether acetate	PGEEA	C ₇ H ₁₄ O ₃	98516-30-4	~9.6	1.2		
212	Propylene oxide		C ₃ H ₆ O	75-56-9	10.22	6	35	700
213	Propyleneimine	2-methylaziridine	C ₃ H ₇ N	75-55-8	9	1.4	7	130
214	Propyl Nitrate, n-		C ₃ H ₇ NO ₃	627-13-4	11.07	NR		
215	Propyne	methylacetylene	C ₃ H ₄	74-99-7	10.36	4		
216	Pyrazine		C ₄ H ₄ N ₂	290-37-9	9.29	3		
217	Pyridine		C ₅ H ₅ N	110-86-1	9.25	0.7	4	75
218	Pyrrrole		C ₄ H ₅ N	109-97-7	8.02	0.6		
219	Pyrrrolidine		C ₄ H ₉ N	123-75-1	8.77	4		
220	Pyruvaldehyde		C ₃ H ₄ O ₂	78-98-8	9.6	0.7		
221	Rose oxide, cis-	Tetrahydro-4-methyl-2-(2-methylpropyl)-2H-pyran	C ₁₀ H ₁₈ O	16409-43-1	~9	0.8		
222	Sec-amyl acetate		C ₇ H ₁₄ O ₂	626-38-0	~9.9	5		
223	Sevoflurane	1,1,1,3,3,3-hexafluoro-2-(fluoromethoxy)propane	C ₃ H ₃ F ₇ O	28523-86-6	11	NR		

224	Styrene	vinylbenzene	C ₈ H ₈	100-42-5	8.4	0.45	2	50
225	Tetrafluoroethylene	R-1114	C ₂ F ₄	116-14-3	10.12	15	5	100
226	Tetrafluoromethane	carbon tetrafluoride	CF ₄	75-73-0	15.3	NR		
227	Tetrahydrofuran	THF	C ₄ H ₈ O	109-99-9	9.41	2.3	8	150
228	Toluene		C ₇ H ₈	108-88-3	8.82	0.56	3	50
229	Triethylamine	TEA	C ₆ H ₁₅ N	121-44-8	7.5	1.3	5	90
230	Trifluoroacetic acid	TFAA	C ₂ HO ₂ F ₃	76-05-1	11.46	NR		
231	Trifluoroethane	trifluoroethylene	C ₂ HF ₃	359-11-5	10.14	5		
232	Turpentine		C ₁₀ H ₁₆	9005-90-7	~8.5	0.6		
233	Turpentine oil	pinenes	C ₁₀ H ₁₆	8006-64-2	~8	0.6	3	60
234	Undecane		C ₁₁ H ₂₄	1120-21-4	9.56	1.1	5	100
235	Vanillin		C ₈ H ₈ O ₃	121-33-5	~9	1		
236	Water	dihydrogen monoxide	H ₂ O	7732-18-5	12.61	NR		
237	Xenon		Xe	7440-63-3	12.13	NR		
238	Xylene mixed isomers	dimethyl benzenes	C ₈ H ₁₀	1330-20-7	8.56	0.54	2	40
239	Xylene, m-		C ₈ H ₁₀	108-38-3	8.56	0.5	2	50
240	Xylene, o-		C ₈ H ₁₀	95-47-6	8.56	0.5	3	60
241	Xylene, p-		C ₈ H ₁₀	106-42-3	8.44	0.55	3	50

Calibration and maintenance

Do not perform any maintenance operation with the power on.

Clean the device with a soft damp cloth. Do not use any abrasive cleaning agents. Do not immerse the device in water or any cleaning media.

NOTE! Cleaning instruments and spare parts are not included in the delivery set, Please contact your Seller for more information.

How often the PID needs maintenance?

The frequency of calibration and maintenance depends on operating conditions (VOC concentration, humidity, dust, and oil in the air, etc).

In clean indoor air with low VOC concentration, a monthly or less frequent calibration is recommended. When higher VOC concentrations are measured under harsh conditions, perform calibration and maintenance more frequently.

PID needs maintenance if:

- The baseline is climbing after you zero the PID – replace the electrode stack.
- The PID becomes sensitive to humidity – replace electrode stack.
- The PID cell shows signs of contamination after the lamp window has been cleaned – replace the electrode stack.
- The PID cell is known to have been subjected to severe contamination– replace the electrode stack
- The baseline is unstable or shifts when you move the PID – replace the electrode stack
- The sensitivity has dropped too much (note the change required when checking calibration) – clean the lamp
- The signal to noise ratio at low VOC concentrations becomes inadequate – replace the lamp

Cleaning of the PID lamp is recommended as the first action when a PID needs maintenance. It is recommended to recalibrate the device every time after stack replacement or lamp cleaning.

Removing the electrode stack and lamp

NOTE! Always use the Electrode Stack Removal Tool to remove the electrode stack; any other tools may damage your PID and invalidate your warranty.

To remove the electrode stack, proceed as follows:

1. Gently remove the sensor from the equipment.
2. Place the PID, pellet side down, onto a clean surface.
3. Locate the electrode stack removal tool into the two slots on the sides of the PID and squeeze together until the electrode stack and lamp are released.
4. Carefully lift the PID body away from the pellet and lamp.
5. Occasionally the lamp may be temporarily lodged in the cell and will need to be freed carefully with tweezers.
6. Occasionally the small spring behind the lamp will come out when the lamp is removed from the sensor. Simply place it into the sensor house.



Electrode stack removing tool



Electrode stack

Cleaning the PID Lamp

Inspection of the lamp may reveal a layer of contamination on the detection window that presents itself as a 'blue hue.' To check for contamination, hold the lamp in front of a light source and look across the window surface. To avoid contaminating the sensor and affecting accuracy, do not touch the lamp window with bare fingers. You may touch the body of the lamp with clean fingers.

NOTE! Always use the recommended cleaning kit to clean the lamp.

PID lamp cleaning kit

The vial of the cleaning compound contains alumina (CAS Number 1344-28-1) as a very fine powder. Please contact your Seller for a full material safety data sheet MSDS.

Key safety issues are identified below:

Hazard identification: May cause irritation of the respiratory tract and eyes.

Storage: Keep container closed to prevent water absorption and contamination

Handling:

- Do not breathe in the powder. Avoid contact with skin, eyes, and clothing;
- Wear suitable protective clothing;
- Follow industrial hygiene practices: Wash face and hands thoroughly with soap and water after use and before eating, drinking, smoking, or applying cosmetics.
- The powder carries a TVL (TWA) limit of 10 mg/m³

PID lamp cleaning instructions:

1. Open the container of the alumina polishing compound;
2. With a clean cotton bud, collect a small amount of the powder;
3. Use this cotton bud to polish the PID lamp window. Use a circular action, applying light pressure to clean the lamp window. Do not touch the lamp window with fingers;
4. Continue polishing until an audible "squeaking" is made by the cotton bud moving over the window surface (usually within 15 seconds);
5. Remove the residual powder from the lamp window with a clean cotton bud. Care must be taken not to touch the tips of cotton buds that are to be used to clean the lamps as this may contaminate them with finger oil.
6. Ensure the lamp is completely dry and remove any visible signs of contamination before refitting.

Re-fitting the PID electrode stack and lamp

NOTE! Never refit a damaged lamp.

1. Place the lamp inside the O-ring seal in the pellet as illustrated below. Twisting the lamp slightly during insertion will help to ensure the lamp window is snug against the electrode stack's front electrode. The lamp should be freely supported by the O-ring.
2. Continuing to hold the electrode stack between forefinger and thumb, carefully insert the lamp into the recess in the sensor ensuring that the lamp remains in position. Press the electrode stack firmly, to ensure that the electrode stack wing clips are engaged, and the top faces of the electrode stack and sensor house are flush.
3. Refit the sensor into the sensing equipment.
4. Recalibrate the gas detector.



Discarding the PID electrode stack

The electrode stack does not have any toxic components, however, if it has been contaminated by toxic materials, show due care when disposing of.

Delivery set

- Detector-transmitter E2638
- Mounting accessories:
 - 4 screws with plastic dowels
 - Fixing clamp for remote probe version



Order code for E2638-PID options

E2638 options	Order code
Remote probe, 3 m cable	E2638-PID-RP33-3
Remote probe, 10 m cable	E2638-PID-RP33-10
Duct mount option, stem $\varnothing 35 \times L 230$ mm	E2638-PID-DM
Integrated 24 VAC power supply module	E2638-PID-24VAC
Integrated 90...265 V mains power supply module	E2638-PID-230
Local LCD single value display 36 mm x 72 mm	E2638-PID-LCD
Remote LCD single value display, wall mount box 115 x 65 x 40mm, 3 m cable	E2638-PID-RLCD3
Two SPST relays	E2638-PID-R
Two LEDs (visual alarm)	E2638-PID-LED
Buzzer (acoustic alarm)	E2638-PID-B
Self-test button for relays	E2638-PID-TB
Integrated coreless micropump	E2638-PID-MP

Configuring

A standard configuration kit includes a USB-RS485 converter, fixed flow regulator, gas tubing with applicators, and a software pack. Please contact your Seller for more information.

Detectors-transmitters E2638 share all functionalities of the PluraSens® multifunctional platform. The features and options include:

- Digital output change rate-limiting filter
- Digital integrating (averaging) filter
- Free assignment of each analog output to the chosen parameter
- Flexible setting of analog output scales for each output
- Output zero and slope adjustment for calibration
- Free assignment of each of two relays to the chosen parameter
- Several relay control logic modes
- Switch delays and minimum on/off state durations for each relay

The output scales can be changed by Modbus commands by using the configuration software and the standard configuration kit (see Modbus RTU Communication).

Return to default settings

To reset the device's Slave ID, baud rate, and stop bit numbers to factory settings, proceed as follows:

1. De-energize the device
2. Connect the X6 jumper
3. Turn on the device
4. De-energize the device
5. Disconnect the X6 jumper
6. Turn on the device

Modbus RTU Communication

RS485 communication interface

Databits: 8 Parity: none / odd / even Stop bits: 1 or 2 Protocol: Modbus RTU	Supported Modbus functions: 03 – Read multiple registers 06 – Write a single register
---	---

Communication parameters

Parameter	Permitted values	Default
Supported baud rates	1200, 2400, 4800, 9600, 19200, 38400, 57600	9600
Data bits	8	8
Parity	none / odd / even	none
Stop bits	1, 2	1
Protocol	Modbus RTU	
Modbus functions	03 - Read multiple registers 06 - Write a single register	
Error codes	01 – Illegal function 02 – Illegal data address 03 – Illegal data value 04 – Slave device failure (details of last error 04 can be read from register 0x0008)	

Modbus holding registers

Register addresses are shown 0-based, Address in hexadecimal, Reg in decimal format. Modbus holding register numbers MHR are shown in the decimal 1-based format and may be addressed either from 00001 or 40001 base.

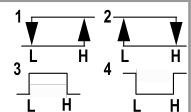
Address	Reg / MHR	RW	Description	Supported values (dec)	Default
0x0001	1 / 40002	R	Hardware version		-
0x0002	2 / 40003	R	Software version		-
0x0003	3 / 40004	R	Product serial number	1...65535	-
0x0004	4 / 40005	RW	Slave ID (net address) *	1...247 **	1

0x0005	5 / 40006	RW	Baud rate *	1200, 2400, 4800, 9600, 19200, 38400, 57600	9600
0x0006	6 / 40007	RW	Response delay, ms	1...255	10
0x0007	7 / 40008	RW	Stop bits, parity bit *	1 – No parity bit, 1 stop bit (default after factory reset) 2 – No parity bit, 2 stop bits 3 – Odd parity, 1 stop bit 4 – Even parity, 1 stop bit NOTE: 3 and 4 are available starting from the Software version 0x218 (dec. 536)	1
0x0008	8 / 40009	R	Last error code	1...255	-
0x0011	17 / 40018	RW	Technological: age of last data in seconds (read) / restart (write)	0...65535 s (read), writing 42330 restarts the instrument	-

0x00A5	165 / 40166	RW	Zero adjustments for gas data, ADC	-32000...+32000 ADC units	0
0x00A6	166 / 40167	RW	Slope adjustment for gas data	1...65535	512
0x00A7	167 / 40168	RW	Change rate limit for gas units/ s	1...32000, 0 - no limit	0
0x00A8	168 / 40169	RW	Integrating filter time constant, s	1...32000 (seconds), 0 - no filter	0
Address	Reg / MHR	RW	Description	Supported values (dec)	Default
0x00C9	201 / 40202	RW	Parameter tied to analog output 1	0 – None 2 – Gas concentration 9 – Forced Modbus control, value set in MHR / 40204	2
0x00CA	202 / 40203	RW	Parameter tied to analog output 2	0 – None 2 – Gas concentration 9 – Forced Modbus control, value set in MHR / 40205	2
0x00CB	203 / 40204	RW	Forced value for analog output 1***	0...1000 (0.0%...100.0% of output scale)	0
0x00CC	204 / 40205	RW	Forced value for analog output 2***	0...1000 (0.0%...100.0% of output scale)	0

0x00D3	211 / 40212	RW	Parameter tied to relay RE1	0 – none 2 – gas concentration 9 – control by Modbus control, state set in MHR / 40214	2
0x00D4	212 / 40213	RW	Parameter tied to relay RE2	0 – none 2 – gas concentration 9 – control by Modbus control, state set in MHR / 40215	2
0x00D5	213 / 40214	RW	Forced state for relay RE1***	0 – off, 1 – on	0
0x00D6	214 / 40215	RW	Forced state for relay RE2***	0 – off, 1 – on	0
0x00D7	215 / 40216	RW	Switching delay for relay RE1	0...1000 (s)	0
0x00D8	216 / 40217	RW	Switching delay for relay RE2	0...1000 (s)	0
0x00D9	217 / 40218	RW	Minimal on/off time for relay RE1	0...1000 (s)	0
0x00DA	218 / 40219	RW	Minimal on/off time for relay RE2	0...1000 (s)	0

Address	Reg / MHR	RW	Description	Supported values (dec)	Default
0x00DB	219 / 40220	RW	Control logic for relay RE1	<p>0 – none 1 – relay on at high values 2 – relay on at low values 3 – relay on at values within the range 4 – relay on for the values out of the range</p>	0

0x00DC	220 / 40221	RW	Control logic for relay RE2	 <p>0 – none 1 – relay on at high values 2 – relay on at low values 3 – relay on at values within the range 4 – relay on for the values out of the range</p>	0
0x00DD	221 / 40222	RW	LOW setpoint for relay RE1	0...65535 (gas units)	see Specifications
0x00DE	222 / 40223	RW	HIGH setpoint for relay RE1	0...65535 (gas units)	see Specifications
0x00DF	223 / 40224	RW	LOW setpoint for relay RE2	0...65535 (gas units)	see Specifications
0x00E0	224 / 40225	RW	HIGH setpoint for relay RE2	0...65535 (gas units)	see Specifications
0x00FF	255 / 40256	RW	Sensor, analog outputs, LED and buzzer status	bit[0]=0/1 – sensor present/absent, RO bit[1]=0/1 – analog outputs deactivated/activated bit[2]=0/1 – in case the sensor is absent, turn signaling off/on analog output1 bit[3]=0/1 – in case the sensor is absent, turn on signaling with low current/high current on analog output1; if bit[2]=0 this bit will be ignored bit[4]=0/1 – in case of sensor absent, turn signaling off/on analog output2 bit[5]=0/1 – in case of sensor absent, turn on signaling with low current/high current on analog output2; if bit[4]=0 this bit will be ignored bit[6]=0/1 – current/voltage output detected on output1, RO bit[7]=0/1 – current/voltage output detected on output2,	

				RO bit[8]=0/1 – LED deactivated/activated bit[9]=0/1 – buzzer deactivated/activated bit[10]=0/1 - LED is on/off in normal condition bit[11]=0/1 - 1 Hz (50% on, 50% off) LED signal off/on if relay1 turned on bit[12]=0/1 - 2 Hz (50% on, 50% off) LED signal off/on if relay2 turned on	
0x0101	257 / 40258	R	Raw gas sensor data	0...4095, ADC units	
0x0103	259 / 40260	R	Gas concentration, gas units	0...65535, gas units	
0x0105	261 / 40262	RW	0% value for analog output 1	-32000...+32000, gas units	User defined
0x0106	262 / 40263	RW	100% value for analog output 1	-32000...+32000, gas units	User defined
0x0107	263 / 40264	RW	0% value for analog output 2	-32000...+32000, gas units	User defined
0x0108	264 / 40265	RW	100% value for analog output 2	-32000...+32000, gas units	User defined

* – The new value is applied after restart.

** – Broadcast slave ID 0 can be used to assign a new ID to the instrument with an unknown ID. When addressing by ID 0 the device shall be the only Modbus instrument in the network. The device will not respond to the Master command when addressed by ID 0.

*** – This value is dynamic and not kept in EEPROM after a restart.

Warranty

This product is warranted to be free from defects in material and workmanship for a period of one year from the date of the original sale. During this warranty period, the Manufacturer will, at its option, either repair or replace a product that proves to be defective. This warranty is void if the product has been operated in conditions outside ranges specified by the Manufacturer or damaged by customer error or negligence or if there has been an unauthorized modification.

Manufacturer contacts

Evikon MCI OÜ

Teaduspargi 7/9, Tartu

50411 Estonia

info@evikon.eu

www.evikon.eu

