



# Carbon Monoxide Detector E2630-CO



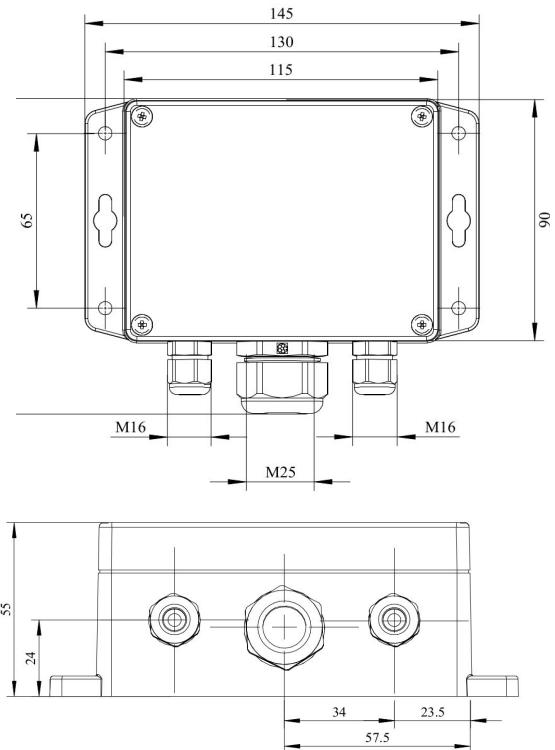
## Features

- Accurate and stable measurement
- Wall-mount IP65 protected housing
- Visual and acoustic alarms
- Two output relays for alarm / ventilation control

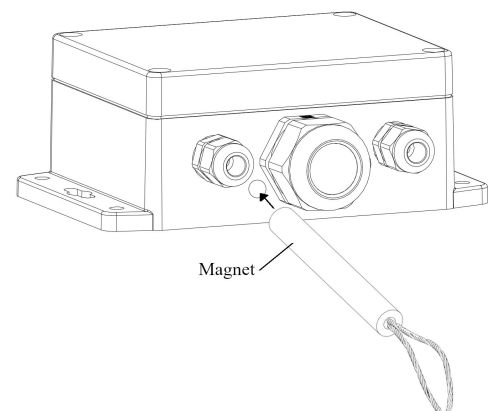
## Specifications

|   |   |
|---|---|
| Calibration                                       | Carbon monoxide CO  |
| Sensor type                                       | Electrochemical   |
| Sampling method                                   | Diffusion   |
| Typical detection range                           | Standard 0...200 ppm<br>high 0...1000 ppm CO  |
| Accuracy  | ± (3% of range + 5 ppm CO)  |
| Response time                                     | ca. 30 s  |
| Signal update                                     | Every 1 second  |
| Sensor lifetime                                   | > 10 years  |
| Maintenance interval                              | 12 months   |
| Self-diagnostics                                  | Full functionality check at start-up,<br>testing by magnetic switch   |
| Warm-up time                                      | ≤ 1 min   |
| Power supply                                      | 24 VDC/AC ±20% (default)<br>or 230 VAC (optional)   |
| Power consumption                                 | < 2 VA  |
| Digital interface                                 | UART  |
| Output relays                                     | 2 relays with switch-over contact (SPDT),<br>250 VAC / 30 VDC, 5 A max  |
| Default alarm set-points<br>for 0...200 ppm range | Release - LOW - HIGH<br>18 - 25 - 125 ppm   |
| for 0...1000 ppm range                            | 88 - 125 - 250 ppm  |
| Alarms  | Blinking LED, buzzer 85 dB  |
| Enclosure   | Grey ABS plastic, wall mount,<br>protection class IP65  |
| Dimensions  | H140 × W145 × D55 mm  |
| Operating conditions                              | -20...+50 °C<br>0...90% RH non-condensing;<br>0,9...1,1 atm;<br>Explosion-safe areas<br>Non-aggressive atmosphere |

## Dimensions



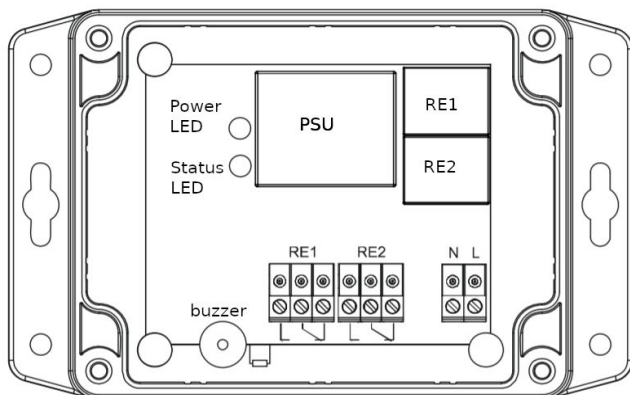
## Magnet key



Ask for other versions or custom designed products



## Connection diagram



### Terminals

|                |  |
|----------------|--|
| <b>RE1 NO</b>  | Relay 1, normally open terminal              |
| <b>RE1 COM</b> | Relay 1, common terminal                     |
| <b>RE1 NC</b>  | Relay 1, normally closed terminal            |
| <b>RE2 NO</b>  | Relay 2, normally open terminal              |
| <b>RE2 COM</b> | Relay 2, common terminal                     |
| <b>RE2 NC</b>  | Relay 2, normally closed terminal            |
| <b>L</b>       | 90...265 VAC Phase (optional 24 VAC / VDC)   |
| <b>N</b>       | 90...265 VAC Neutral (optional 24 VAC / VDC) |

