



# Ozone Detector-Transmitter E2608-O3



## Features

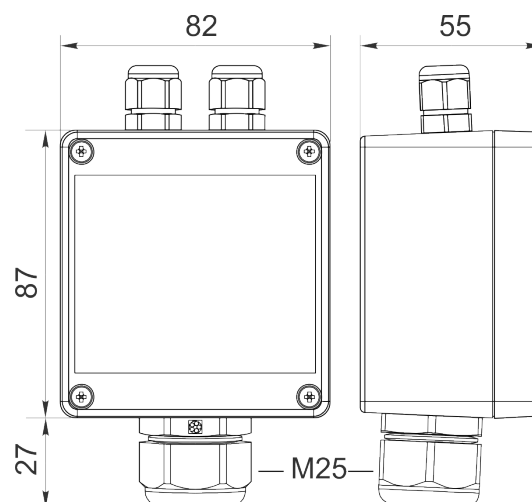
- Wall-mount or duct-mount version
- Industrial IP65 housing
- Two analog outputs settable to 4-20 mA or 0-10 V
- RS485 Modbus RTU digital interface
- Two relays for alarm / ventilation control
- Attached or remote sensor

## Specifications

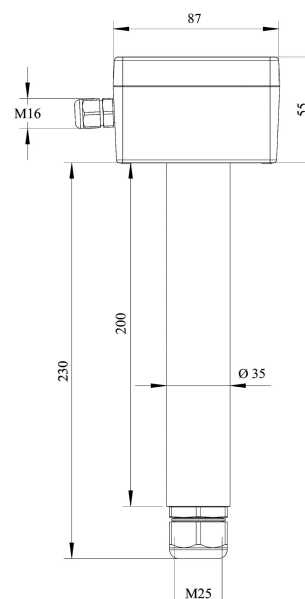
Calibration	Ozone O <sub>3</sub>
Sensor type	Electrochemical
Sampling method	Diffusion
Typical detection range	0...5 ppm
Maximum overload	50 ppm
Resolution/digital unit	0.01 ppm
Response time T80	< 60 s
Signal update	Every 1 second
Sensor lifetime	> 2 years
Maintenance interval	6 months
Self-diagnostics	Full functionality check at start-up
Warm-up time	≤ 1 min
Power supply	12...36 VDC (default), 24 VAC or 230 VAC as options
Power consumption	< 2 VA
Digital interface	RS485, Modbus RTU protocol
Analog outputs	2 × 4-20 mA / 0-10 V, user settable
Output scale width	Recommended: 20-100% of the range; > 10 × resolution in any case
Output relays	2 × SPST relays (closing contact), 250 VAC / 30 VDC, 5 A max
Default alarm setpoints	RE1 (LOW): set 0.3 ppm, release 0.24 ppm RE2 (HIGH): set 1 ppm, release 0.8 ppm
Enclosure	Grey ABS plastic, wall mount, protection class IP65
Dimensions	H87 × W82 × D55 mm
Remote sensor probe	Protection IP65, shielded cable default cable length 3.0 m
Operating environment	Industrial indoor and outdoor locations
Operating conditions	-40...+50 °C; 15...90% RH non-condensing; 0,9...1,1 atm; Explosion-safe areas Non-aggressive atmosphere

**NOTE!** We offer technical solutions for extreme humidity, please ask for more information.

### Wall mount version



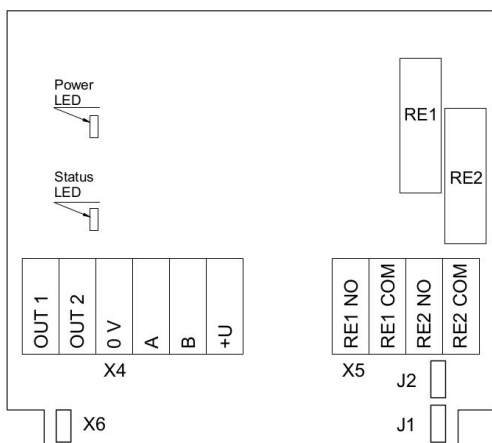
### Duct mount version



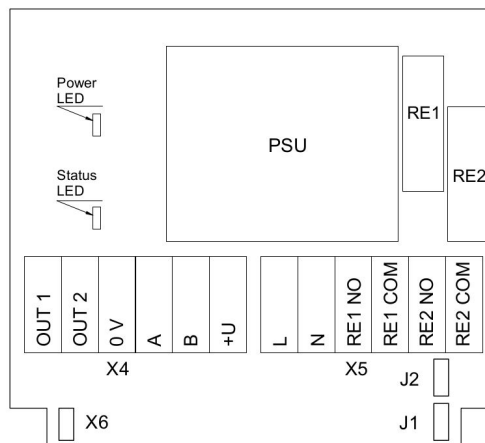
Ask for other versions or custom designed products



## Connection diagrams



Version without PSU



Version with PSU

### Jumpers

J1

OUT1 type (open: 4-20 mA; closed 0-10 V)

J2

OUT2 type (open: 4-20 mA; closed 0-10 V)

X6

Reset Modbus network parameters to default

### X4 terminals

OUT1

4-20 mA / 0-10 V output

OUT2

4-20 mA / 0-10 V output

0V

0 V / 24 VAC Neutral (optional)

A

RS485 A / Data +

B

RS485 B / Data -

+U

+24 VDC / 24 VAC Phase (optional)

### X5 terminals (optional)

L

90...265 VAC Phase

N

90...265 VAC Neutral

RE1 NO

Relay 1, normally open terminal

RE1 COM

Relay 1, common terminal

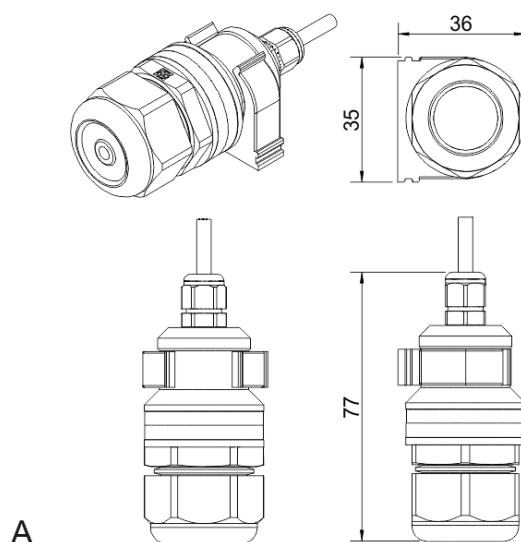
RE2 NO

Relay 2, normally open terminal

RE2 COM

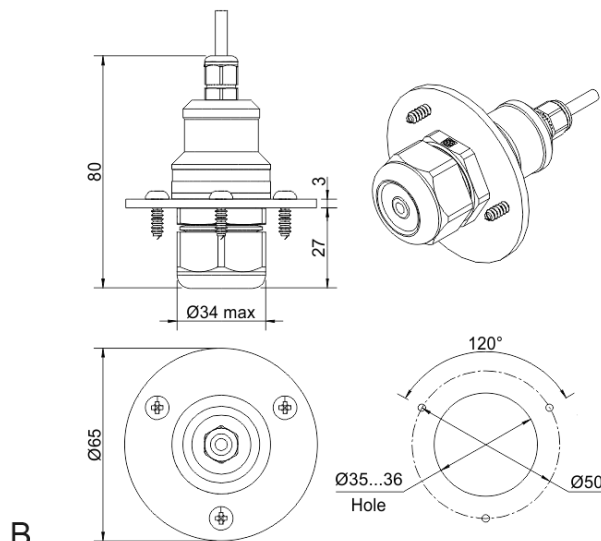
Relay 2, common terminal

## Remote probe



A

Wall mount remote probe with fixing clamp (default version)



B

Remote probe with rubber flange and three self-tapping screws (on request)

