



# Carbon Monoxide Detector-Transmitter E2608-CO



## Features

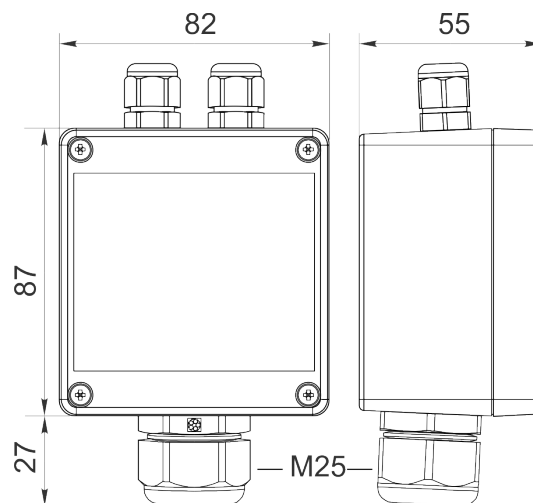
- Wall-mount or duct-mount version
- Industrial IP65 housing
- Two analog outputs settable to 4-20 mA or 0-10 V
- RS485 Modbus RTU digital interface
- Two relays for alarm / ventilation control
- Attached or remote sensor

## Specifications

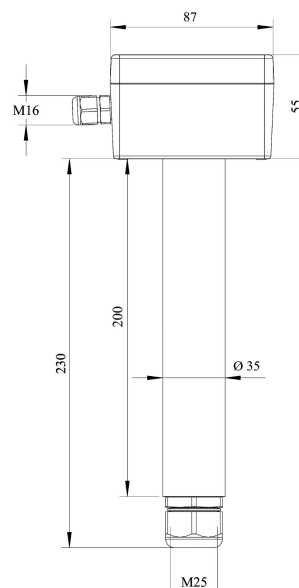
|                           |  |
|---------------------------|--|
| Calibration               | Carbon monoxide CO   |
| Sensor type               | Electrochemical  |
| Sampling method           | Diffusion  |
| Typical detection range   | 0...300 ppm    0...1000 ppm  |
| Maximum overload          | 2000 ppm   |
| Resolution / digital unit | 1 ppm  |
| Repeatability             | < ± 5 %  |
| Response time T90         | < 30 s   |
| Signal update             | Every 1 second   |
| Sensor lifetime           | > 10 years   |
| Maintenance interval      | 12 months  |
| Self-diagnostics          | Full functionality check at start-up   |
| Warm-up time              | ≤ 1 min  |
| Power supply              | 12...36 VDC (default),<br>24 VAC or 230 VAC as options   |
| Power consumption         | < 2 VA   |
| Digital interface         | RS485, Modbus RTU protocol   |
| Analog outputs            | 2 × 4-20 mA / 0-10 V, user settable  |
| Output scale width        | Recommended: 5-100% of the range;<br>> 10 × resolution in any case   |
| Output relays             | 2 × SPST relays (closing contact),<br>250 VAC / 30 VDC, 5 A max  |
| Default alarm setpoints   | RE1 (LOW): set 25; release 20 ppm<br>RE2 (HIGH): set 35; release 28 ppm  |
| Enclosure                 | Grey ABS plastic, wall mount, protection class IP65  |
| Dimensions                | H87 × W82 × D55 mm   |
| Remote sensor probe       | Protection IP65, shielded cable<br>default cable length 3.0 m  |
| Operating environment     | Industrial indoor and outdoor locations  |
| Operating conditions      | -20...+50 °C, 0.9...1,1 atm<br>15...90% RH non-condensing<br>Explosion-safe areas<br>Non-aggressive atmosphere |

**NOTE!** We offer technical solutions for extreme humidity, please ask for more information

### Wall mount version



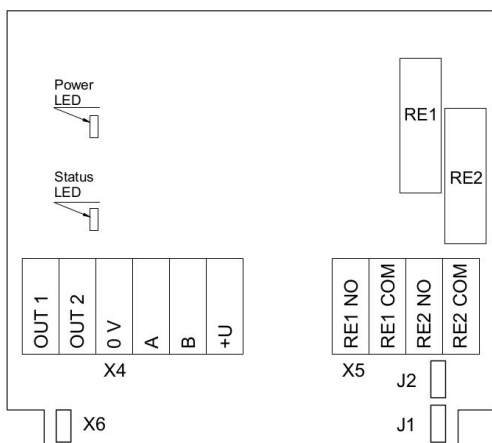
### Duct mount version



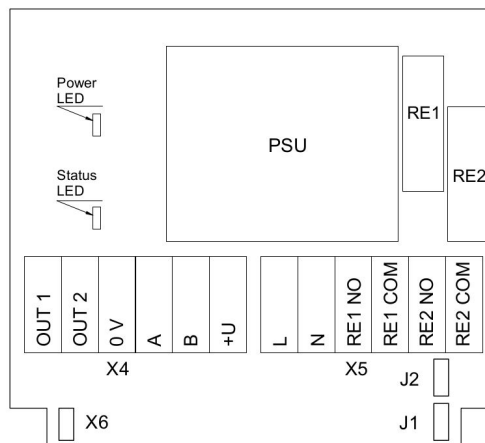
Ask for other versions or custom designed products



## Connection diagrams



Version without PSU



Version with PSU

### Jumpers

J1

OUT1 type (open: 4-20 mA; closed 0-10 V)

J2

OUT2 type (open: 4-20 mA; closed 0-10 V)

X6

Reset Modbus network parameters to default

### X4 terminals

OUT1

4-20 mA / 0-10 V output

OUT2

4-20 mA / 0-10 V output

0V

0 V / 24 VAC Neutral (optional)

A

RS485 A / Data +

B

RS485 B / Data -

+U

+24 VDC / 24 VAC Phase (optional)

### X5 terminals (optional)

L

90...265 VAC Phase

N

90...265 VAC Neutral

RE1 NO

Relay 1, normally open terminal

RE1 COM

Relay 1, common terminal

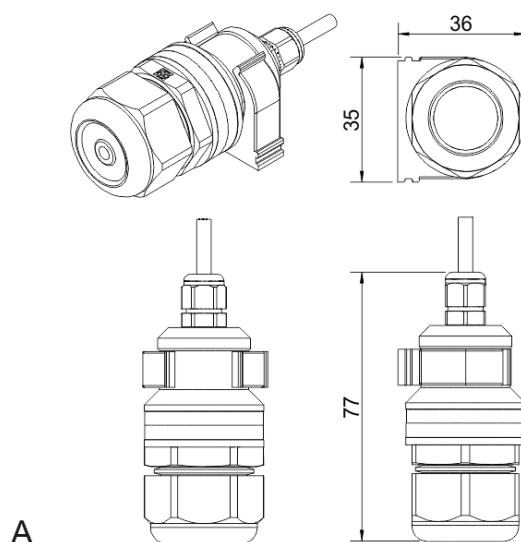
RE2 NO

Relay 2, normally open terminal

RE2 COM

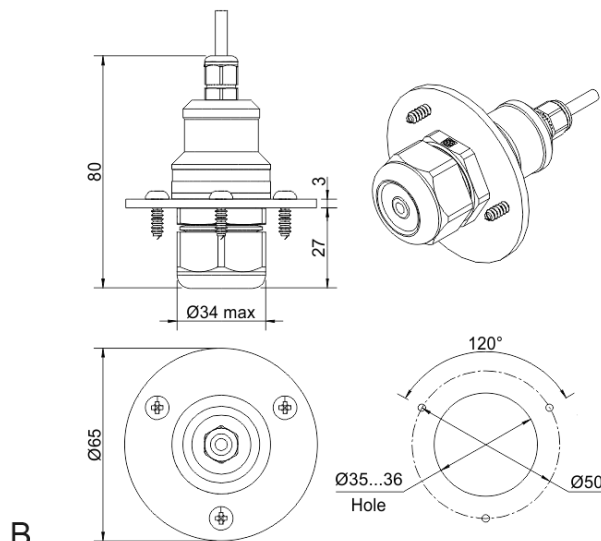
Relay 2, common terminal

## Remote probe



A

Wall mount remote probe with fixing clamp (default version)



B

Remote probe with rubber flange and three self-tapping screws (on request)

