



Carbon Dioxide Detector-Transmitter E2608-CO2



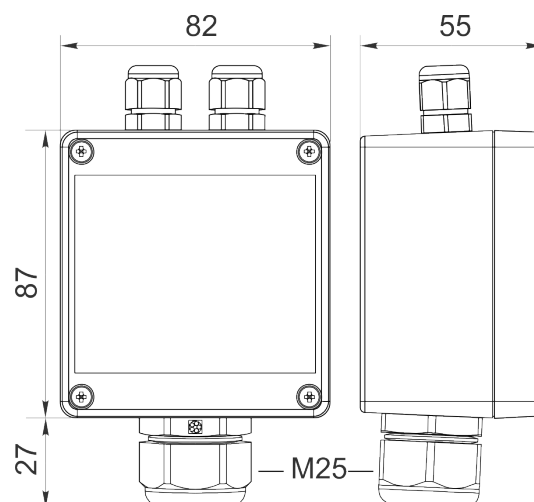
Features

- Wall-mount or duct-mount version
- Industrial IP65 housing
- Two analog outputs settable to 4-20 mA or 0-10 V
- RS485 Modbus RTU digital interface
- Two relays for alarm / ventilation control
- Attached or remote sensor

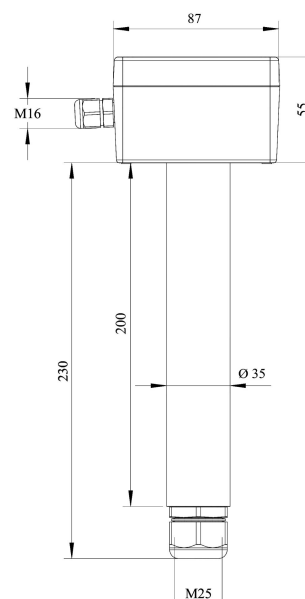
Specifications

Calibration	Carbon dioxide CO ₂
Sensor type	Photoacoustic or Dual beam NDIR
Sampling method	Diffusion
Typical detection range	0...10 000 ppm (ordering code 10K) 0...40 000 ppm (ordering code 40K) 0...5% vol (ordering code 50KN) Up to 100% CO ₂ on request
Resolution / digital unit	1 ppm for 10K 10 ppm for 40K 0.2% FS for 50KN
Response time	T60 ≤ 60 s for 10K/40K T50 ≤ 20 s; T90 ≤ 60 s for 50KN
Signal update	Every 5 seconds for 10K/40K Every 1 second for 50KN
Sensor lifetime	~ 10 years for 10K/40K ~ 5 years for 50KN
Maintenance interval	No field recalibration if ABC algorithm is enabled for 10K/40K 12 months for 50KN
Self-diagnostics	Full functionality check at start-up
Warm-up time	≤ 1 min
Power supply	12...36 VDC (default), 24 VAC or 230 VAC as options
Power consumption	< 2 VA
Digital interface	RS485, Modbus RTU protocol
Analog outputs	2 × 4-20 mA / 0-10 V, user settable
Output scale width	Recommended: 20-100% of the range; > 10 × resolution in any case
Output relays	2 × SPST relays (closing contact), 250 VAC / 30 VDC, 5 A max
Default alarm setpoints	Determined by user within 5-95% of the range
Enclosure	Grey ABS plastic, wall mount, protection class IP65

Wall mount version



Duct mount version



Ask for other versions or custom designed products

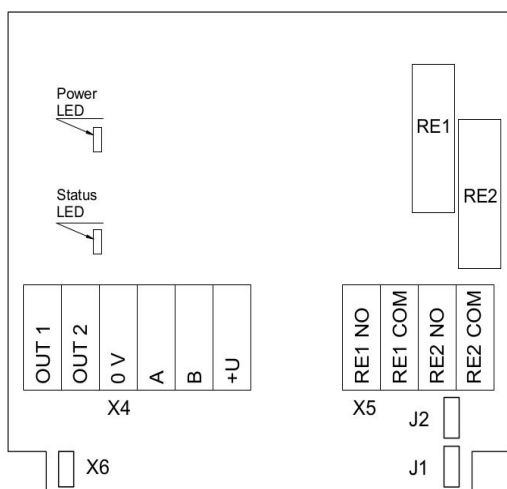


Dimensions	H87 × W82 × D55 mm
Remote sensor probe	Protection IP65, shielded cable default cable length 3.0 m
Operating environment	Industrial indoor and outdoor locations
Operating conditions	-40...+60 °C, 0...100 %RH; 0,9...1,1 atm; Explosion-safe areas; Non-aggressive atmosphere

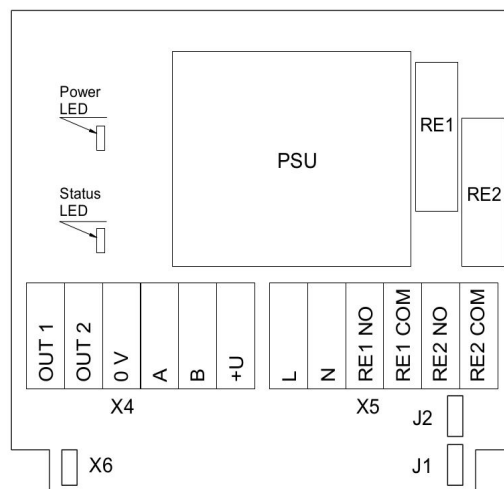
Jumpers

J1	OUT1 type (open: 4-20 mA; closed 0-10 V)
J2	OUT2 type (open: 4-20 mA; closed 0-10 V)
X6	Reset Modbus network parameters to default
X4 terminals	
OUT1	4-20 mA / 0-10 V output
OUT2	4-20 mA / 0-10 V output
0V	0 V / 24 VAC Neutral (optional)
A	RS485 A / Data +
B	RS485 B / Data -
+U	+24 VDC / 24 VAC Phase (optional)
X5 terminals (optional)	
L	90...265 VAC Phase
N	90...265 VAC Neutral
RE1 NO	Relay 1, normally open terminal
RE1 COM	Relay 1, common terminal
RE2 NO	Relay 2, normally open terminal
RE2 COM	Relay 2, common terminal

Connection diagrams

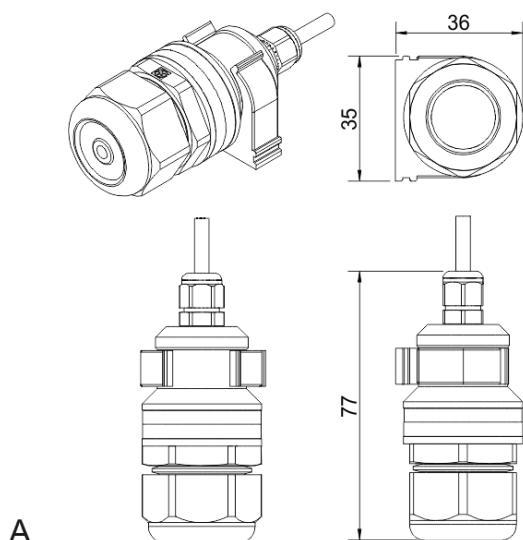


Version without PSU



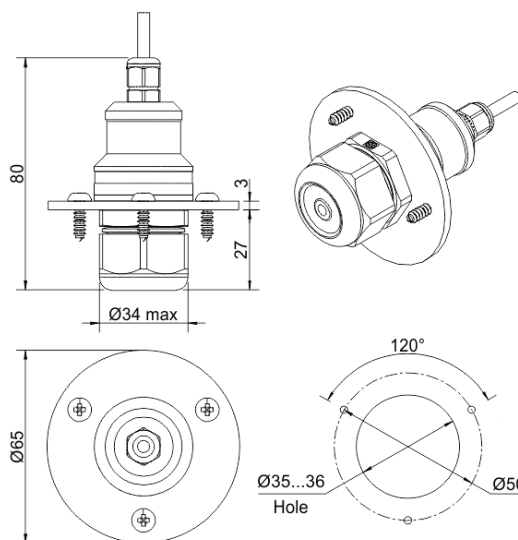
Version with PSU

Remote probe



A

Wall mount remote probe with fixing clamp (default version)

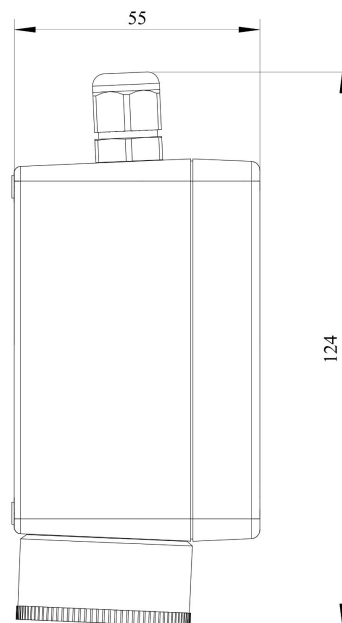
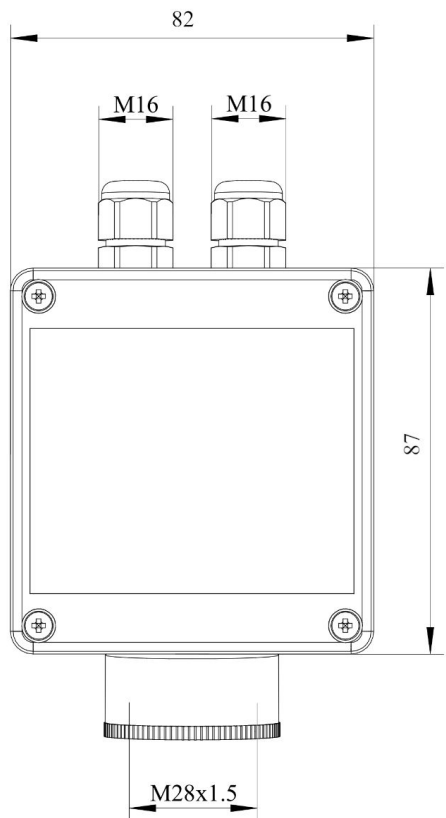


B

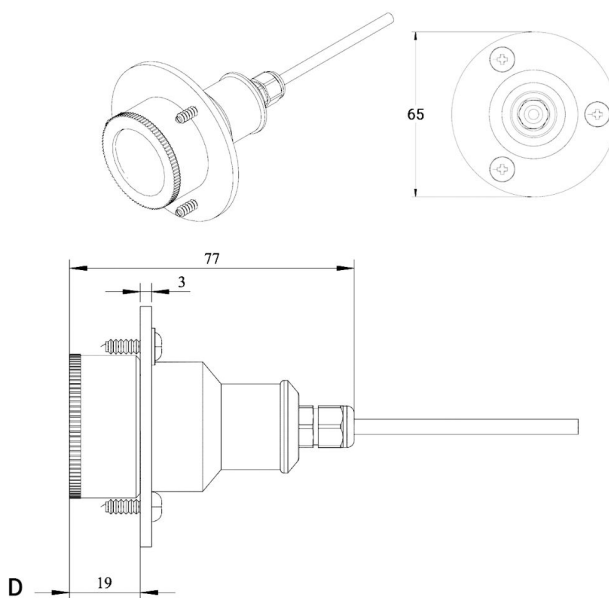
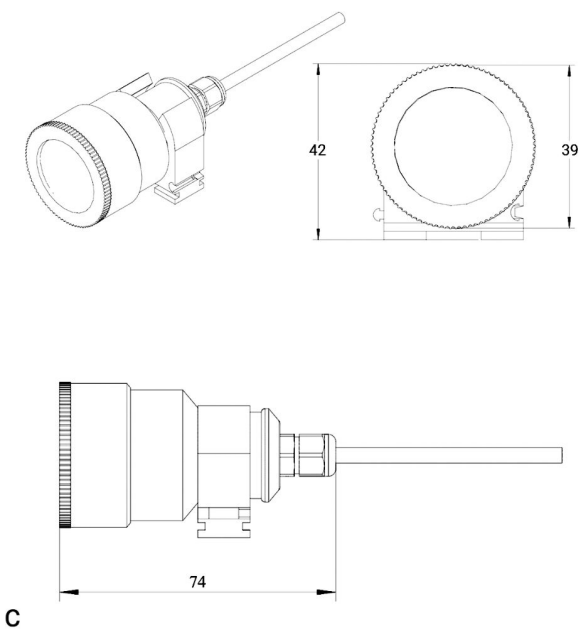
Remote probe with rubber flange and three self-tapping screws (on request)



With 50KN sensor dimensions



50KN sensor Remote probe



Wall mount remote probe with fixing clamp (default version)

Remote probe with rubber flange and three self-tapping screws (on request)

