



# Two-channel PID controller E6212

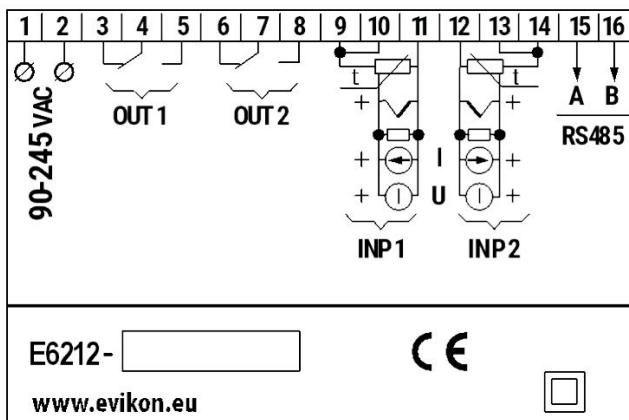
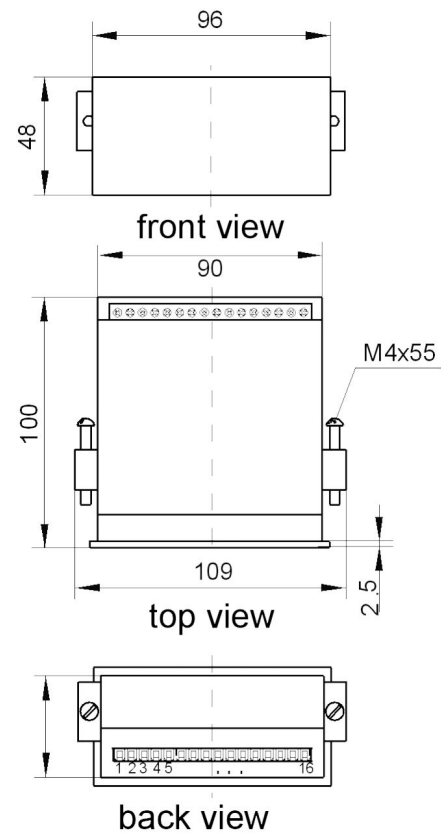


## Features

- Two universal inputs
- Two independent control channels
- PID control
- Calculation: sum, difference, ratio, difference root
- Two relay outputs for 3-way valves
- RS485 Modbus RTU interface

## Specifications

Inputs	Two universal inputs: 0/4-20 mA, $\pm 50$ mV, 0-1 V, Pt100, other RTDs, thermocouples
Sampling interval	< 1 s
Two displays	2 x 4-digit 7-segment LED, height 14 mm / 10 mm
Accuracy	$\pm 0,25$ % FSO for RTD inputs $\pm 0,5$ % FSO for other inputs
Control	PID
Output relays	Two SPDT relays, 1 A, 250 V
Power supply	90...245 VAC
Power consumption	< 6 VA
Digital interface	RS485, 2,4...115,2 kbit/s, Modbus RTU/ASCII protocols
Enclosure	Black ABS, for panel mounting, protection IP54 (front) / IP20 (back)
Dimensions	H48 x W96 x D100 mm
Applications	General industrial automation
Operating conditions	0...+50 °C, 30...80 %RH



### Functional diagram of the controller

