

Petrochemical Thermometer

ET4xx-S011

 7 years
 battery

IP67

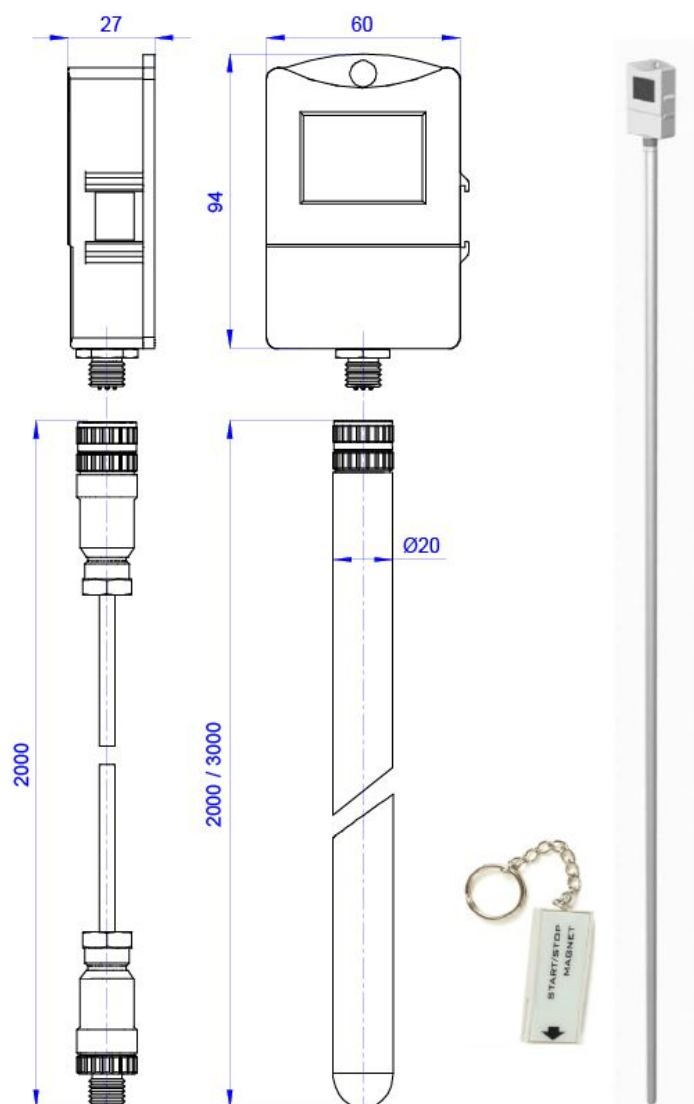
 $\pm 0,3^{\circ}\text{C}$


Features

- Measurement in tanks at 2 or 3 m depth
- Excellent accuracy and reliability
- Compact lightweight housing, detachable probes
- Large LCD display, optional logging function
- Dust-proof IP67 protected design, no moving parts

Specifications

Measurement range	-50...+100 °C
Resolution	0,1 °C
Accuracy	< $\pm 0,3^{\circ}\text{C}$ @ -50...+50 °C $\pm 0,4^{\circ}\text{C}$ @ +50...+100 °C
Sampling interval	10 seconds
Response time in fuel	~30 seconds
Self-diagnostics	Full functionality check at switch-on
Power supply	3,6 V AA Lithium battery,
Typical battery lifetime	7 years
LCD display	Measured temperature value, optionally min / max values
Indication module	Light grey ABS, H94 × W60 × D27 mm, weight 120 g, protection class IP67
Logging function	Up to 32 000 temperature values,
logging interval	from 10 s to 24 h
Switching on / off	by magnet (no mechanical switch)
Probe connection	M12 industrial round connector, IP67
Temperature probe	aluminium alloy, $\varnothing 20$ mm
Probe extension cable	FEP insulation, 2×M12 connectors, protection IP67, length 2 m
Operating environment	industrial and field conditions
Operating conditions	-30...+70 °C, 0...100 %RH
EMC compatibility	to 2004/108/EC and EN61326-1
ATEX conformity	to 94/9/EC Directive Zone 2/22 locations II 3 GD EEx nL II T1...T6



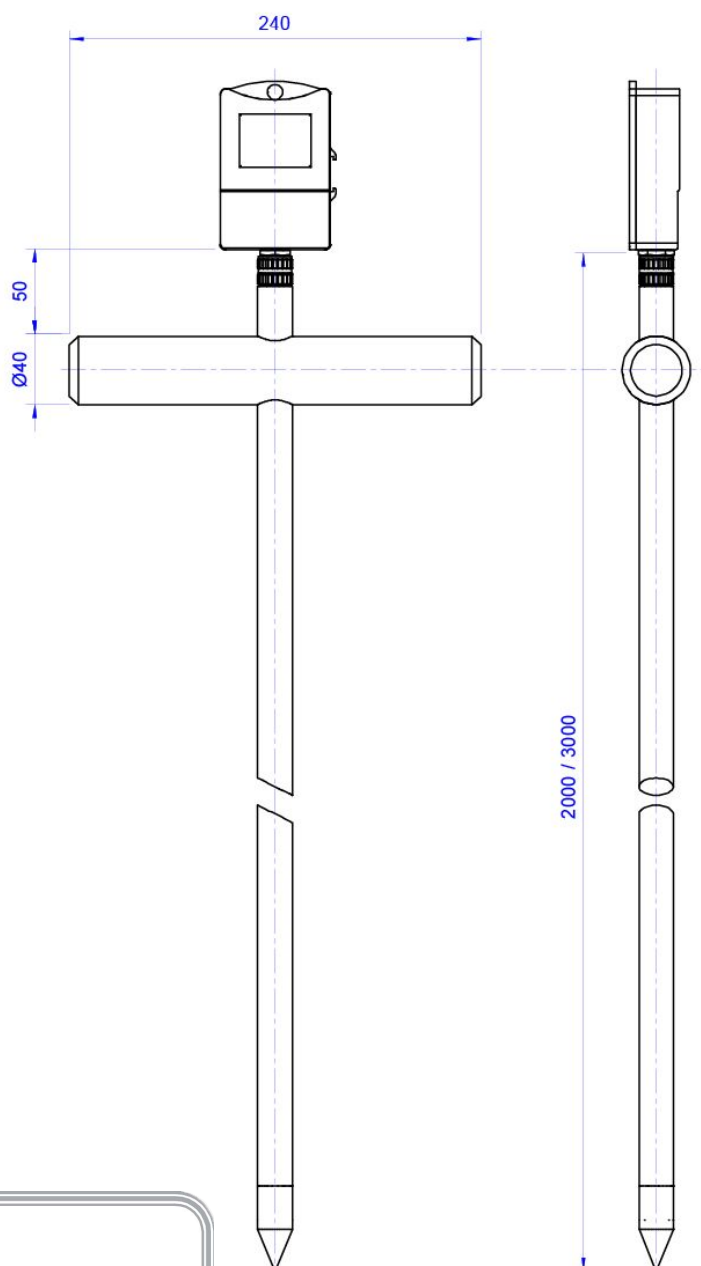
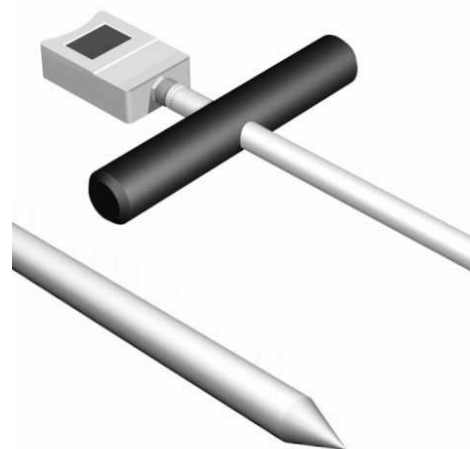
Thermometer versions

ET432-S011 stem length L = 2 m, round tip, weight 500 g

ET433-S011 stem length L = 3 m, round tip, weight 700 g

ET452-S011 stem length L = 2 m, sharp tip, handle, weight 700 g

ET453-S011 stem length L = 3 m, sharp tip, handle, weight 950 g



Authorized Distributor
APL ASIA CO., LTD.

11/129-132 Moo.5 Lamlukka Rd., T.Kookut, A.Lamlukka, Pathumthani 12130 Thailand.
TEL. 0-2995-4461-3, FAX. 0-2995-4464
www.apl-asia.com
EMAIL : sales@apl-asia.com
LINE@ : @APL-ASIA

