

Low Differential Pressure Transmitter-Regulator E2408-DF


 4-20 mA
 0-10 V

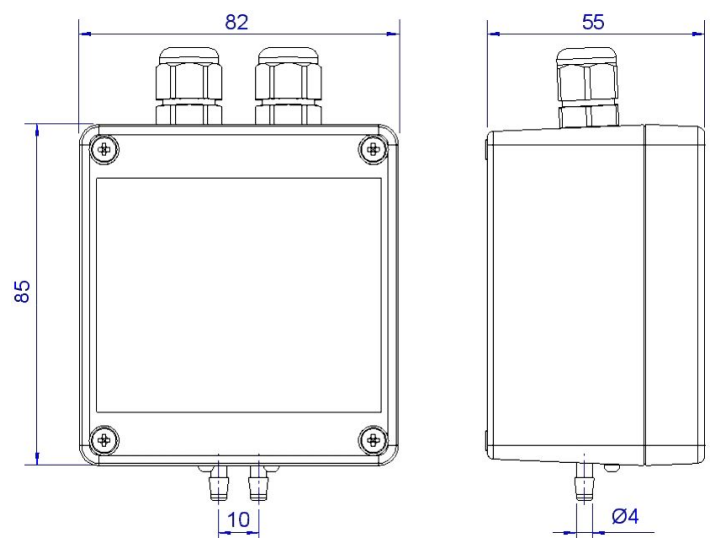
 RS485
 Modbus


Features

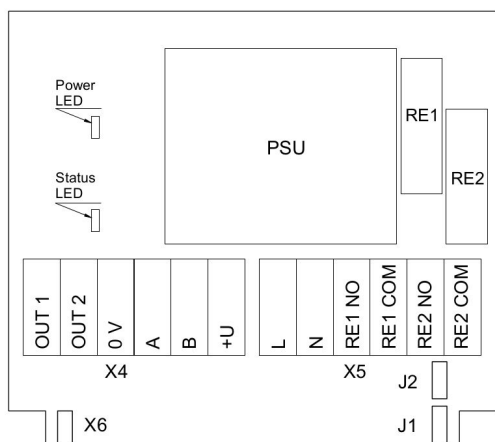
- Ranges from -50...+50 Pa to -500...+500 Pa
- High accuracy, repeatability and zero stability
- Fully calibrated and temperature compensated
- Two configurable SPST output relays
- Two analog outputs settable to 4-20 mA or 0-10 V
- RS485 Modbus RTU digital interface

Specifications

Measured media	Dry clean air without dust, oil, mist, or aggressive compounds
Ranges	E2408-DF-50: -50...+50 Pa E2408-DF-500: -500...+500 Pa
Resolution	0,1 Pa
Sensing method	Thermal microflow
Gas flow through sensor	23 ml/min for ± 50 Pa range 100 ml/min for ± 500 Pa range
Max. overpressure	10 kPa
Zero point accuracy	$\pm 0,2$ Pa, stability < 0,1 Pa / year
Span accuracy	$\pm 3\%$ of reading
Temperature effect	< 0,5% of reading per 10°C
Atm. pressure effect	< 0,1 % of reading per hPa
Power supply	12...36 VDC (default) 24 VAC or 230 VAC as options
Power consumption	< 2 W
Digital interface	RS485, Modbus RTU protocol
Analog outputs	2 \times 4-20 mA / 0-10 V, user switchable
Analog output scales	Freely adjustable within range
Standard output scales	0 - 25 Pa, -25...+25 Pa, 0 - 50 Pa, -50 - +50 Pa, 0 - 100 Pa, -100...+100 Pa, 0 - 250 Pa, -250 - +250 Pa, 0 - 500 Pa, -500 - +500 Pa
Output relays	2 \times SPST relays (closing contact), 250 VAC / 30 VDC, 5 A max
Relay set points	Freely adjustable within range
Enclosure	Grey ABS plastic, wall mount, protection class IP65
Dimensions	H85 \times W82 \times D55 mm
Pressure ports	$\varnothing 4,0...4,9$ mm, for 4/6 mm hose
Operating environment	Business and industrial spaces
Operating conditions	-20...+80 °C, 35...85%RH



Connection diagram



Version with PSU

Jumpers

J1	OUT1 type (open: 4-20 mA; closed 0-10 V)
J2	OUT2 type (open: 4-20 mA; closed 0-10 V)
X6	Reset Modbus network parameters to default

X4 terminals

OUT1	4-20 mA / 0-10 V output
OUT2	4-20 mA / 0-10 V output
0V	0 V / 24 VAC Neutral (optional)
A	RS485 A / Data +
B	RS485 B / Data -
+U	+24 VDC / 24 VAC Phase (optional)

X5 terminals (optional)

L	90...265 VAC Phase
N	90...265 VAC Neutral
RE1 NO	Relay 1, normally open terminal
RE1 COM	Relay 1, common terminal
RE2 NO	Relay 2, normally open terminal
RE2 COM	Relay 2, common terminal



Authorized Distributor
 APL ASIA CO., LTD.
 11/129-132 Moo.5 Lamlukka Rd., T.Kookut, A.Lamlukka, Pathumthani 12130 Thailand.
 TEL. 0-2995-4461-3, FAX. 0-2995-4464
 www.apl-asia.com
 EMAIL : sales@apl-asia.com
 LINE@ : @APL-ASIA