

Low Differential Pressure Transmitter-Regulator E2408-DP


 4-20 mA
 0-10 V

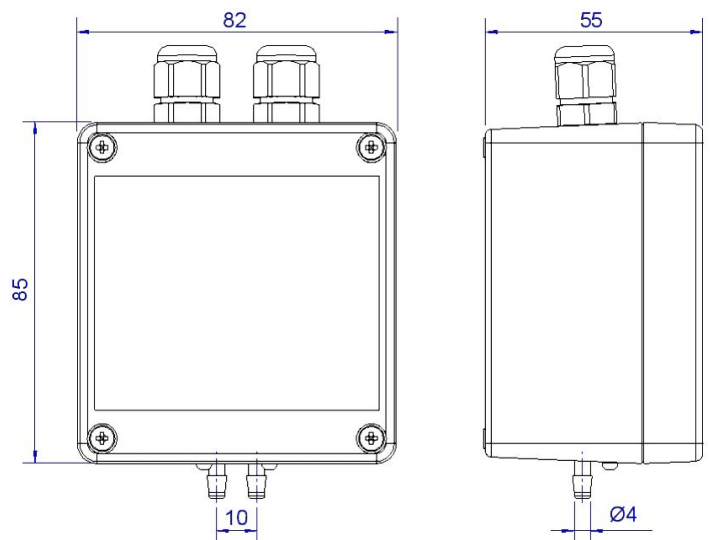
 RS485
 Modbus


Features

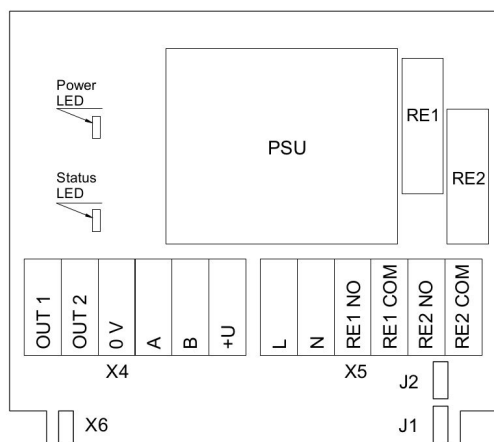
- Ranges from -1000...+1000 Pa to -10...+10 kPa
- High accuracy, repeatability and zero stability
- Fully calibrated and temperature compensated
- Two configurable SPST output relays
- Two analog outputs settable to 4-20 mA or 0-10 V
- RS485 Modbus RTU digital interface

Specifications

Measured media	Dry clean air without dust, oil, mist, or aggressive compounds	
Ranges	-1000...+1000 Pa -10...+10 kPa	
Resolution	0,1 Pa (for -1000...+1000 Pa range) 10 Pa (for -10...+10 kPa range)	
Max. range	-1...+1 kPa (-10...+10 mbar)	-10...+10 kPa (-100...+100 mbar)
Max. overpressure	10 kPa (0,1 bar)	80 kPa (0,8 bar)
Total accuracy	±20 Pa (0,2 mbar) ±200 Pa (2 mbar)	
Zero point stability	<±2%FS	
Temperature effect	Compensated within -5...+65 °C range	
Power supply	12...36 VDC (default) 24 VAC or 230 VAC as options	
Power consumption	< 2 W	
Digital interface	RS485, Modbus RTU protocol	
Analog outputs	2 × 4-20 mA / 0-10 V, user switchable	
Analog output scales	Freely adjustable within range	
Standard output scales	0 - 250 Pa, -250...+250 Pa, 0 - 500 Pa, -500...+500 Pa, 0 - 1,0 kPa, -1,0...+1,0 kPa, 0 - 2,5 kPa, -2,5...+2,5 kPa, 0 - 5,0 kPa, -5,0...+5,0 kPa, 0 - 10 kPa, -10...+10 kPa	
Output relays	2 × SPST relays (closing contact), 250 VAC / 30 VDC, 5 A max	
Relay set points	Freely adjustable within range	
Enclosure	Grey ABS plastic, wall mount, protection class IP65	
Dimensions	H85 × W82 × D55 mm	
Pressure ports	Ø4,0...4,9 mm, for 4/6 mm hose	
Operating environment	Business and industrial spaces	
Operating conditions	-5...+65 °C, <95 %RH	



Connection diagram



Version with PSU

Jumpers

J1	OUT1 type (open: 4-20 mA; closed 0-10 V)
J2	OUT2 type (open: 4-20 mA; closed 0-10 V)
X6	Reset Modbus network parameters to default

X4 terminals

OUT1	4-20 mA / 0-10 V output
OUT2	4-20 mA / 0-10 V output
0V	0 V / 24 VAC Neutral (optional)
A	RS485 A / Data +
B	RS485 B / Data -
+U	+24 VDC / 24 VAC Phase (optional)

X5 terminals (optional)

L	90...265 VAC Phase
N	90...265 VAC Neutral
RE1 NO	Relay 1, normally open terminal
RE1 COM	Relay 1, common terminal
RE2 NO	Relay 2, normally open terminal
RE2 COM	Relay 2, common terminal



Authorized Distributor
 APL ASIA CO., LTD.
 11/129-132 Moo.5 Lamlukka Rd.,T.Kookut, A.Lamlukka, Pathumthani 12130 Thailand.
 TEL. 0-2995-4461-3, FAX. 0-2995-4464
 www.apl-asia.com
 EMAIL : sales@apl-asia.com
 LINE@ : @APL-ASIA