

Low Differential Pressure Transmitter

E2418-DP

IP65

4-20 mA
0-10 VRS485
Modbus

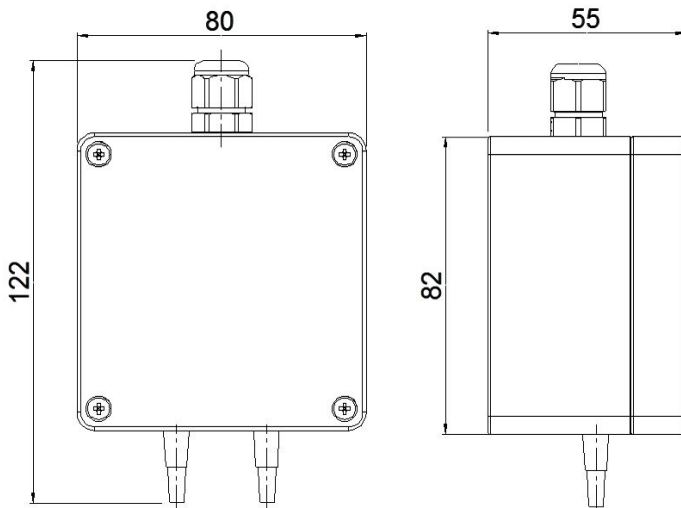
Features

- Ranges from -1000...+1000 Pa to -10...+10 kPa
- High accuracy, repeatability and zero stability
- Fully calibrated and temperature compensated
- Two analog outputs settable to 4-20 mA or 0-10 V
- RS485 Modbus RTU digital interface

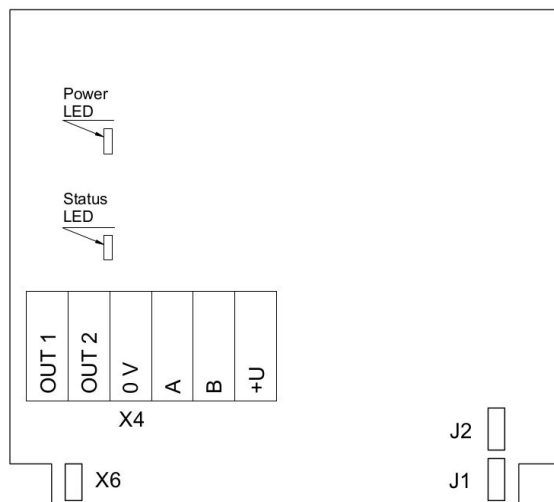
Specifications

Measured media	Dry clean air without dust, oil, mist, or aggressive compounds	
Ranges	E2418-DP-1K	E2418-DP-10K
Resolution	0,1 Pa (0,01 mbar)	10 Pa (0,1 mbar)
Max. range	-1...+1 kPa (-10...+10 mbar)	-10...+10 kPa (-100...+100 mbar)
Max. overpressure	10 kPa (0,1 bar)	80 kPa (0,8 bar)
Total accuracy	±20 Pa (0,2 mbar)	±200 Pa (2 mbar)
Zero point stability	<±2%FS	
Temperature effect	Compensated within -5...+65 °C range	
Power supply	12...36 VDC (default) 24 VAC as option	
Power consumption	< 1 W	
Digital interface	RS485, Modbus RTU protocol	
Analog outputs	2 × 4-20 mA / 0-10 V, user switchable	
Analog output scales	Freely adjustable within range	
Standard output scales	0 - 250 Pa, -250...+250 Pa, 0 - 500 Pa, -500...+500 Pa, 0 - 1,0 kPa, -1,0...+1,0 kPa, 0 - 2,5 kPa, -2,5...+2,5 kPa, 0 - 5,0 kPa, -5,0...+5,0 kPa, 0 - 10 kPa, -10...+10 kPa	
Enclosure	Dark grey ABS plastic, wall mount, protection class IP65	
Dimensions	H122 × W80 × D55 mm	
Pressure ports	Ø4,0...4,9 mm, for 4/6 mm hose	
Operating environment	Business and industrial spaces	
Operating conditions	-5...+65 °C, <99 %RH	

Dimensions



Connection diagram



PCB without PSU and relays

Jumpers

J1

OUT1 type (open: 4-20 mA; closed 0-10 V)

J2

OUT2 type (open: 4-20 mA; closed 0-10 V)

X6

Reset Modbus network parameters to default

X4 terminals

OUT1

4-20 mA / 0-10 V output

OUT2

4-20 mA / 0-10 V output

0V

0 V / 24 VAC Neutral (optional)

A

RS485 A / Data +

B

RS485 B / Data -

+U

+24 VDC / 24 VAC Phase (optional)



Authorized Distributor
 APL ASIA CO., LTD.
 11/129-132 Moo.5 Lamlukka Rd., T.Kookut, A.Lamlukka, Pathumthani 12130 Thailand.
 TEL. 0-2995-4461-3, FAX. 0-2995-4464
 www.apl-asia.com
 EMAIL : sales@apl-asia.com
 LINE@ : @APL-ASIA