



Humidity & Temperature Transmitter E2227

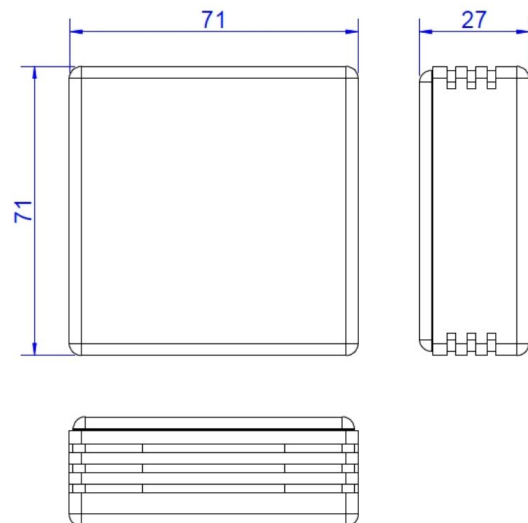


Features

- Excellent repeatability and stability
- Fully calibrated and temperature compensated
- Compact housing providing optimal airflow
- Two analog outputs settable to 0-10 V or 4-20 mA
- RS485 Modbus RTU digital interface

Specifications

Sensors	Digital combined RH and T sensors
Measurement ranges	0...95 %RH, -20...+70 °C
Calculated values	Dew point, absolute humidity
Resolution	0,01 %RH / 0,01 °C
Accuracy	±2,5 %RH, ±0,5 °C ±1,8 % RH / ±0,3 °C on request
Sampling interval	1 second
Response time	~15 seconds
Self-diagnostics	Full functionality check at start-up
Warm-up time	≤ 1 s
Power supply	11...30 VDC, nominal 12 / 24 VDC
Power consumption	< 1,5 W
Digital interface	RS485, Modbus RTU protocol
Analog outputs	2 × 4-20 mA / 0-10 V, user settable
Enclosure	White plastic with ventilation slots, wall mount, protection class IP20
Cable connections	Pluggable screw terminal blocks
Dimensions	H71 × W71 × D27 mm
Operating environment	Residential, business and industrial indoor spaces
Operating conditions	-20...+70 °C, <95 %RH, without condensation



Jumpers

J1	OUT1 type (open: 4-20 mA; closed 0-10 V)
J2	OUT2 type (open: 4-20 mA; closed 0-10 V)
X6	Reset Modbus network parameters to default

X4 terminals

OUT1	4-20 mA / 0-10 V output
OUT2	4-20 mA / 0-10 V output
0V	0 V / 24 VAC Neutral (optional)
A	RS485 A / Data +
B	RS485 B / Data -
+U	+24 VDC / 24 VAC Phase (optional)

Connection diagram

