

# Temperature Measurement Cable ET910



## Features

- Accurate and reliable temperature measurement
- Measurement range -40...+85°C
- Up to 32 digital addressable 1-wire sensors
- IP67 water and dust protected design
- SWA protection tube

## Description

ET910 multipoint temperature measurement cable is developed for reliable temperature measurement in grain silos during product long term storage. The cables are installed vertically by suspension from silo ceiling or through the roof, by special fixing hooks or flanges.

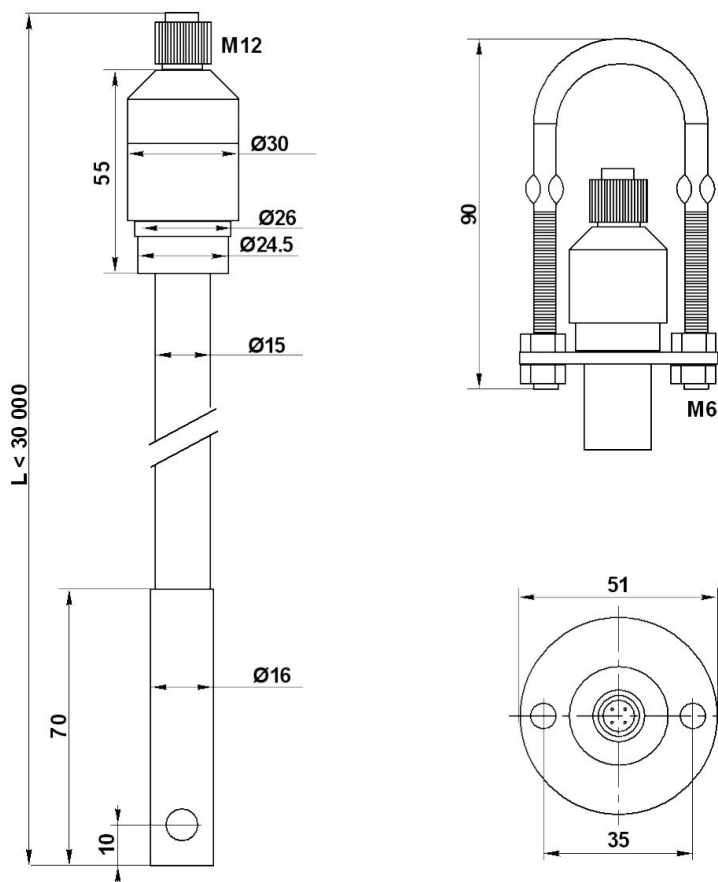
Digital 1-wire temperature sensors with sequence detection function are used, so the physical position of each sensor in the cable is automatically detected.

ET910 temperature measurement cable is fully protected from water and dust and complies with ATEX requirements for Zone 20 and Zone 21 installations in grain silos.

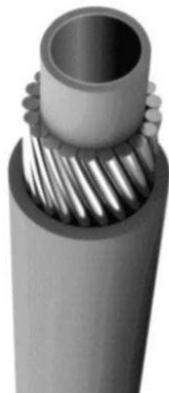
## Specifications

|                            |  |
|----------------------------|--|
| Sensing element            | Digital, 1-wire<br>( $\mu$ LAN interface)                                      |
| Number of sensors in cable | up to 32   |
| Interval between sensors   | 1...3 m  |
| Measurement range          | -40...+85 °C   |
| Resolution                 | 0,0625 °C  |
| Accuracy                   | < 0,5 °C   |
| Power supply               | 3,0...5,5 VDC  |
| Connection                 | M12 4-pole female connector  |
| Operating conditions       | -40...+85 °C, 0...100% RH,<br>explosion safe areas<br>and ATEX Zones 20 and 21 |
| Protection class           | IP67   |
| Protection tube            | Ø15 mm steel wire armoured   |
| Tensile Strength           | 30 kN (3 tonnes)   |

Ask for other versions or custom designed products



Upper holder assembly



Steel Wire Armoured protection tube



Lower end assembly



Rooftop holding plate assembly