

Indoor air temperature sensor ET711



Features

- For temperatures from -20 to +50 °C
- Pt100, Pt500, Pt1000, PTC1000 or NTC sensor
- White plastic terminal box, internal sensor
- 4-20 mA or RS-485 Modbus RTU

Specifications

Sensing element	Pt100 class A to EN60751 as standard optionally Pt500, Pt1000, PTC1000, NTC10 or other thermistors
Measurement range	20...+50 °C
Cable connections	Screw terminal block, 2- or 3-wire sensor connection
Operating environment	Residential, business and industrial indoor spaces
Operating conditions	-20...+50 °C, <95 %RH, without condensation
Enclosure	White plastic with ventilation slots, wall mount, protection class IP20
Dimensions	S: H71 × W71 × D27 mm M: H85 × W85 × D37 mm
Analog output options	-C: plain terminal block -I: transmitter 4-20 mA =T1-T2 °C (for enclosure -M only)
Digital interface option	-485: digital interface, RS485, Modbus RTU protocol (for enclosure -M only)

Ordering code

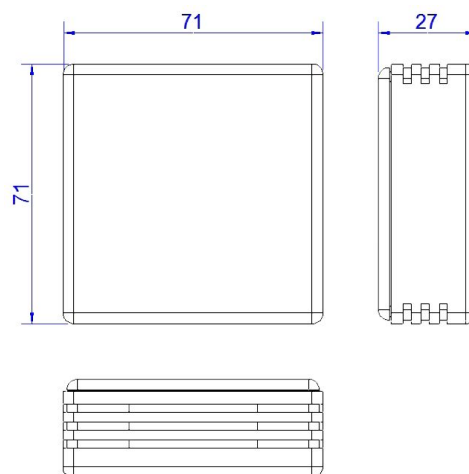
ET711[1]-[2]-[3]

1 - S: small enclosure, M: medium enclosure

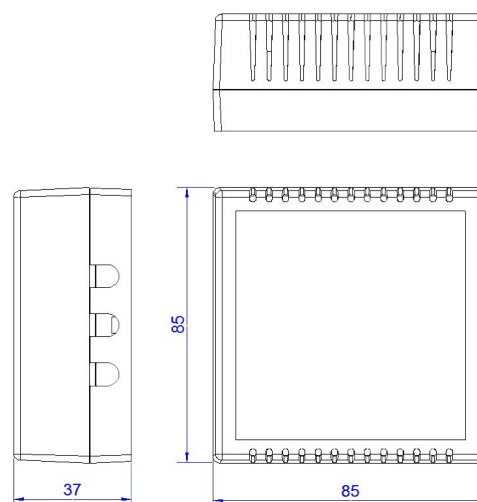
2 - specify sensing element type, e.g. Pt100, Pt1000, NTC10K ...

3 - specify output option I / 485

E711S



E711M



Authorized Distributor
APL ASIA CO., LTD.
11/129-132 Moo.5 Lam Lukka Rd., T.Kookut, A.Lam Lukka, Pathumthani 12130 Thailand.
TEL. 0-2995-4461-3, FAX. 0-2995-4464
www.apl-asia.com
EMAIL : sales@apl-asia.com
LINE@ : @APL-ASIA

