

# Push-in thermocouple sensor assemblies ET631

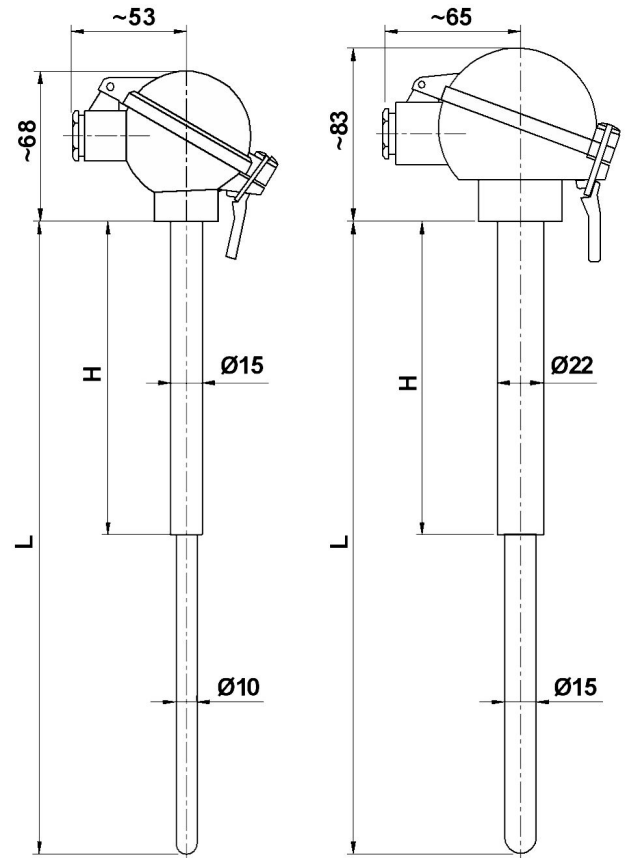


## Features


- Thermocouples type K, S, R, B, C
- Steel holding tube Ø15 or Ø22 mm
- Ceramic protection tube Ø10 or Ø15 mm
- Insertion length up to 1400 mm
- Spherical terminal head with hinged cover
- In-head 4-20 mA transmitter option

## Specifications

Thermocouple options	Type K, Class 1, mineral insulated, 0...+1150 °C, peak +1250 °C, Inconel 600 insert Ø4,5 mm (standard) Type S, Class 1, wire Ø0,35 mm, +600...+1400 °C, peak +1600 °C Type R, Class 1, wire Ø0,35 mm, +600...+1400 °C, peak +1600 °C Type B, Class 2, wire Ø0,35 mm, +800...+1600 °C, peak +1800 °C Type C, Class 2, wire Ø0,50 mm, 0...+2000 °C, peak +2300 °C
Holding tube options	5: AISI321 / EN1.4541 steel 7: AISI446 / EN1.4762 steel 8: AISI310 / EN1.4841 steel Ø15×2 mm or Ø22×2 mm, length H
Ceramic tube options	C610 porcelain (for TC type K) C799 alumina (for TC type S, R, B, C) Ø10 mm (for Ø15 holding tube) Ø15 mm (for Ø22 holding tube) Total length L, free length L - H
Terminal head	spherical with hinged cover, aluminium alloy, protection IP54 small SUZ (for holding tube Ø15 mm) large BUZ (for holding tube Ø22 mm)
Terminal block option	-CS: ceramic, screw connections
Transmitter option	-I-T1-T2: 4-20 mA, range T1-T2 °C
Accessories	A101 adjustable screw fittings, max 200 °C MB1-15/-22 adjustable screw fitting for holding tube Ø15/22 mm, weld type, <300 °C MB2-15/-22 adjustable screw fitting for holding tube Ø15/22 mm, flange type, <300 °C FS11T-15/-22 compression fitting for tube Ø15/22 mm, Zinc plated steel, G1" outer thread FS12T- adjustable compression fittings, outer thread 1/2"



**Standard insertion lengths L = 250 / 500 / 750 / 1000 / 1400 mm**  
**Recommended holding tube length H = L - (100...200 mm)**



Authorized Distributor  
APL ASIA CO., LTD.  
11/129-132 Moo.5 Lamlukka Rd., T.Kookut, A.Lamlukka, Pathumthani 12130 Thailand.  
TEL. 0-2995-4461-3, FAX. 0-2995-4464  
www.apl-asia.com  
EMAIL : sales@apl-asia.com  
LINE@ : @APL-ASIA

