

Temperature probe with bayonet lock ET231



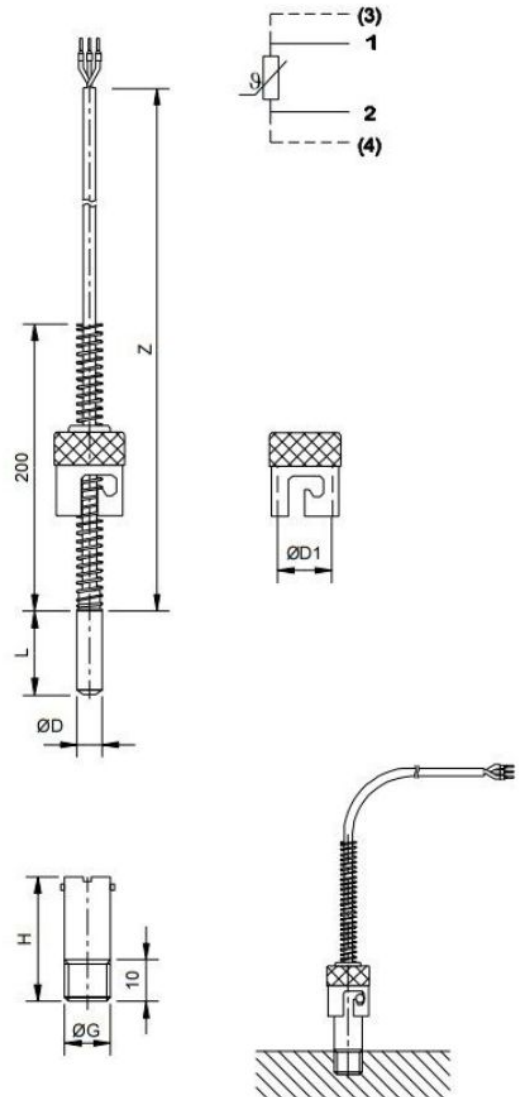
Features

- RTD, thermistor or thermocouple sensing element
- AISI316 acid-proof steel tip, diameter 6 or 8 mm
- Bayonet cap with 1 or 2 slots
- Fiberglass, silicone, fluoroplast or PVC insulated cable


Specifications

Sensing elements and	<p>Thermocouples: K or J type, <105 °C or <500°C</p> <p>RTD: Pt100 <250 °C or <500°C* Pt1000 <250 °C or <500°C PTC and NTC thermistors on demand</p>
Bayonet tip	<p>AISI316 stainless steel</p> <p>ØD 6 mm; L25 mm* ØD 6 mm; L4 mm ØD 7.8 mm; L20 mm ØD 8 mm; L7 mm</p>
Bayonet spring	<p>Straight* or bell-shaped carbon steel spring</p> <p>Length 200 mm</p>
Bayonet cap	<p>AISI303 stainless steel</p> <p>1 slot, inner diameter 11.5 mm* 2 slots, inner diameter 12 or 13 mm</p>
Bayonet adapter	On demand
Cable	<p>FG insulated screened*</p> <p>Silicone insulated</p> <p>Fluoroplast insulated screened</p> <p>PVC insulated for thermistors</p> <p>PVC KTC</p> <p>FG TC Screened</p>
Output options	<p>Bare wires</p> <p>Mini plug for thermocouples</p>

* - Default version



Ask for other versions or custom designed products



Authorized Distributor
APL ASIA CO., LTD.
11/129-132 Moo.5 Lamlukka Rd., T.Kookut, A.Lamlukka, Pathumthani 12130 Thailand.
TEL: 0-2995-4461-3, FAX: 0-2995-4464
www.apl-asia.com
EMAIL: sales@apl-asia.com
LINE@: @APL-ASIA