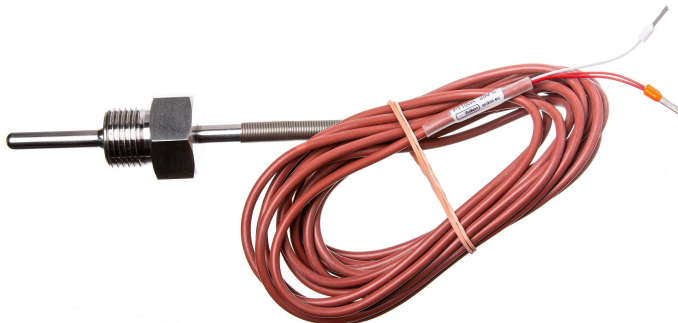


Screw-in Temperature Probe With Cable

ET211



Features

- For temperature measurement -50...+500 °C
- Pt100, Pt1000, PTC1000 or NTC sensors
- Available in 2-wire and 3-wire circuit
- A4 / AISI316L stainless steel body

Description

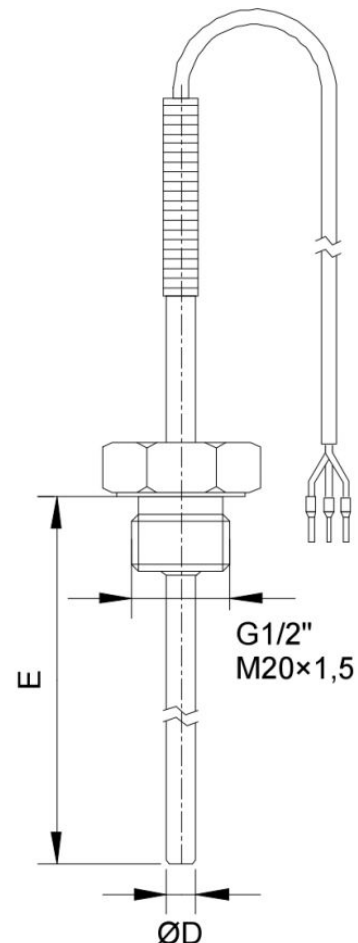
Screw-in resistance temperature sensor probes are intended for measuring temperatures in liquids and gases, ensuring reliable process connection at negative or positive pressure. Applications include heating, cooling installations and industrial automation.

Depending on the application needs, many features can be supplied: platinum RTD sensing elements with specific nominal resistance and accuracy class for temperatures up to +500 °C and common thermistors, protection tubes of various size with threaded fittings, connection cables for dry or humid conditions and flexible stainless steel armour.

The standard version includes Pt100 class A RTD sensor with measurement range -50...+250°C, Ø 6 mm protection tube with G1/2" thread fitting, 3 meters of 3-wire silicone+insulated cable.

Specifications

Sensing element options	Pt100, Pt1000 Class A or B according to EN 60751
Measurement ranges	-50...+250 °C or -50...+500 °C
Protection tube	A4 / AISI316L stainless steel
Dimensions	Ø6 mm, L50...300 mm
Protection class	IP55 as standard, IP68 on request
Cable	3 wires (red-red-white), 2 wires (red-white)
Max. cable temperature (continuous / peak)	Silicone insulated 180 / 230 °C fluoroplast insulated 260 / 310 °C Fiberglass insulated 480 / 530 °C
Mounting accessories	Welded thread fitting



NOTE! Fiberglass cable has no moisture resistance.



Authorized Distributor
APL ASIA CO., LTD.
11/129-132 Moo.5 Lam Lukka Rd., T.Kookut, A.Lam Lukka, Pathumthani 12130 Thailand.
TEL. 0-2995-4461-3, FAX. 0-2995-4464
www.apl-asia.com
EMAIL : sales@apl-asia.com
LINE@ : @APL-ASIA