



PORTABLE SINGLE GAS DETECTOR

The AGH5100 portable gas detector can detect toxic gases such as oxygen, chlorine, ammonia and carbon monoxide in the environment. The product is fully gripped, compact, and the built-in advanced electrochemical sensor for a fast response. The double-layered body design suitable for harsh environments and single-button operation greatly reduces the possibility of misoperation.

Features

- Compact and light, it is easy to wear in a helmet, belt, etc.
- PC+TPU double-layer body, wear-resistant and drop-resistant, suitable for harsh conditions.
- Specially designed PCB board, effective against electromagnetic interference, stable work.
- High-brightness LCD display, sound, light, vibration alarm method.
- Built-in high-performance lithium-ion battery for over 20 days of operation.
- One-button design, easy to use, reducing the possibility of misoperation.
- Compatible with a sampling pump for confined space usage.

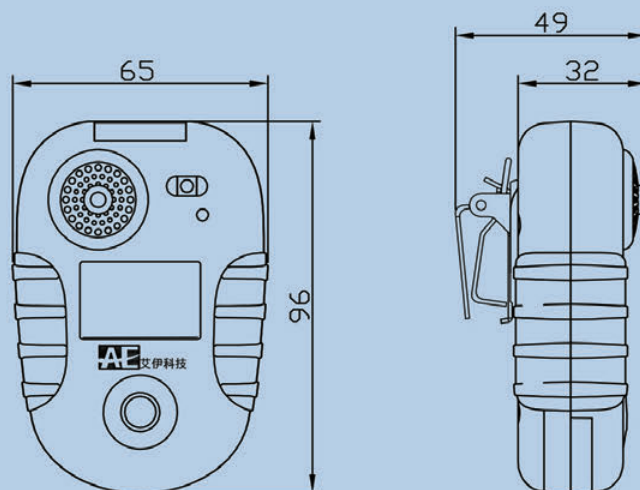


Specifications

Function	
gas detected	toxic gas, O ₂
measure range	see QUICK-SELECTION-TABLE
response time*	T90≤60/180S
accuracy*	≤±5%F.S
repeatability*	≤2%F.S
sampling method	diffusion
Electric	
battery	rechargeable lithium battery, 3.7V, 1500mAh
continuous operation	at least 20 days after a typical 2.5 hours full charge
Alarm	
alarm method	Sound,LED light,vibration
sound intensity	>90dB
Display and Operation	
display	LCD
button	1
Environment	
operating temperature	-20℃~60℃
operating humidity	10~95%RH non-condensing
operating pressure	80-120kPa
Structure	
body material	antistatic PC+TPU
weight	about 0.14kg
dimensions	96*65*32mm(H*W*D)
Certificates	
CPA	2014C148-32
EX	Exib II CT3 Gb

Note:* refers to there's some difference vary from different gas, please contact the manufacturer for details.

Dimensions





PORTABLE GAS DETECTOR

In the daily production of petrochemical engineering, steel, and chemical engineering industries, workers often encounter with flammable and toxic gases of various sorts, and accidents are easy to take place without proper safety protection. As a kind of personal safety protection instrument, portable gas detector plays an important role in industrial production safety.

The portable gas detector is small in size and easy to carry. It can be used for workshop routing inspection for side leakage, as well as in confined spaces such as flame operation inspection.



difusion type gas detector

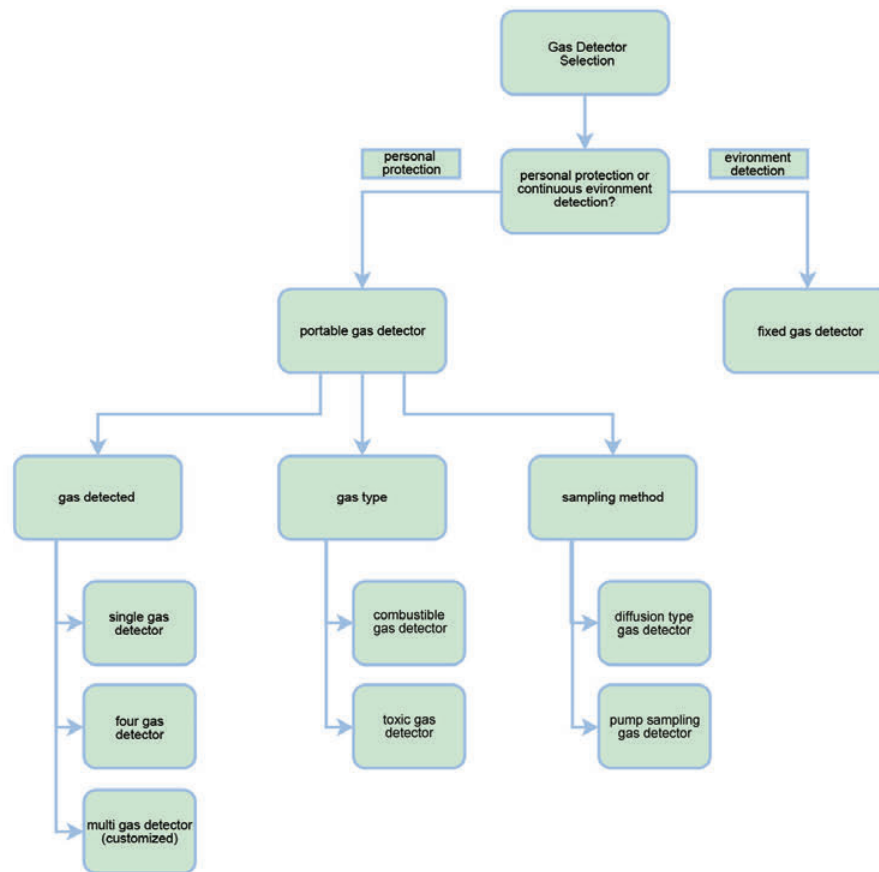


build-in pump gas detector



external pump gas detector

SELECTION GUIDE



QUICK SELECTION TABLE 4 -- PORTABLE GAS DETECTOR

Description	AGH5100	AGH6100	AGH6100F	AGH6200	AGH6200F	AGH8100
The number of sensors						
1	●	-	●	-	●	●
4 in 1	-	-	-	●	-	-
1~4, optional	-	●	-	-	-	-
Gas detected						
combustible gas-catalytic	-	●	●	●	●	●
toxic gas-electrochemical	●	●	-	●	-	-
toxic gas-PID	-	●	-	-	-	-
toxic gas-infrared	-	●	-	-	-	-
Sampling method						
diffusion	●	●	●	●	●	-
built-in pump	-	-	-	-	-	●
Certificates						
CPA	●	●	●	●	●	●
EX	●	●	●	●	●	●
ATEX	-	●	●	-	-	-
CCCF	-	-	-	-	●	-



QUICK SELECTION TABLE 5 -- GAS DETECTED

Gas	Measure Range	Principle	Resolution	AGH5100	AGH6100	AGH6100F	AGH6200	AGH6200F	AGH8100
Combustible gas	0-100%LEL	Combustion catalytic	1%LEL	-	●	●	●	●	-
Methane	0-1000µmol/mol	Combustion catalytic	1µmol/mol	-	-	-	-	-	●
Oxygen	0-30%VOL 0-25%VOL	Electrochemical	0.1%VOL	●	●	-	●	-	-
Carbon monoxide	0-1000µmol/mol	Electrochemical	1µmol/mol	●	●	-	●	-	-
Hydrogen sulphide	0-100µmol/mol	Electrochemical	1µmol/mol	●	●	-	●	-	-
Chlorine	0-10µmol/mol	Electrochemical	0.1µmol/mol	●	●	-	-	-	-
Sulphur dioxide	0-20µmol/mol	Electrochemical	0.1µmol/mol	●	●	-	-	-	-
Ammonia	0-100µmol/mol	Electrochemical	1µmol/mol	●	●	-	-	-	-
Nitric oxide	0-250µmol/mol	Electrochemical	1µmol/mol	●	●	-	-	-	-
Nitrogen dioxide	0-20µmol/mol	Electrochemical	0.1µmol/mol	●	●	-	-	-	-
Hydrogen chloride	0-30µmol/mol	Electrochemical	0.1µmol/mol	●	●	-	-	-	-
Ozone	0-1µmol/mol	Electrochemical	0.01µmol/mol	●	●	-	-	-	-
Ethylene oxide	0-20µmol/mol	Electrochemical	0.1µmol/mol	●	●	-	-	-	-
Formaldehyde	0-20µmol/mol	Electrochemical	0.1µmol/mol	●	●	-	-	-	-
Methanol	0-20µmol/mol	Electrochemical	0.1µmol/mol	●	●	-	-	-	-
Phosphine	0-5µmol/mol	Electrochemical	0.1µmol/mol	●	●	-	-	-	-
Hydrogen	0-1000µmol/mol	Electrochemical	1µmol/mol	●	●	-	-	-	-
Fluorine	0-1µmol/mol	Electrochemical	0.01µmol/mol	●	●	-	-	-	-
Hydrogen fluoride	0-10µmol/mol	Electrochemical	0.1µmol/mol	●	●	-	-	-	-
Hydrogen cyanide	0-50µmol/mol	Electrochemical	0.1µmol/mol	●	●	-	-	-	-
Phosgene	0-1µmol/mol	Electrochemical	0.01µmol/mol	●	●	-	-	-	-
Arsenic hydride	0-1/20µmol/mol	Electrochemical	0.01µmol/mol	●	●	-	-	-	-
Silane	0-50µmol/mol	Electrochemical	0.1µmol/mol	●	●	-	-	-	-
Acrylonitrile	0-20µmol/mol	Electrochemical	0.1µmol/mol	●	●	-	-	-	-
Carbon disulfide	0-20µmol/mol	Electrochemical	0.1µmol/mol	●	●	-	-	-	-
Ethanol	0-20µmol/mol	Electrochemical	0.1µmol/mol	●	●	-	-	-	-
Methane	0-5%/100%VOL	Infrared	0.1%VOL	-	●	-	-	-	-
Carbon dioxide	0-5%/100%VOL	Infrared	0.1%VOL	-	●	-	-	-	-
Toluene	0-20µmol/mol	PID	0.1µmol/mol	-	●	-	-	-	-
Xylene	0-20µmol/mol	PID	0.1µmol/mol	-	●	-	-	-	-
Benzene	0-20µmol/mol	PID	0.1µmol/mol	-	●	-	-	-	-
Acetic acid	0-1000µmol/mol	PID	1µmol/mol	-	●	-	-	-	-
Volatile organic compounds	0-20µmol/mol 0-1000µmol/mol	PID	0.1µmol/mol 1µmol/mol	-	●	-	-	-	-

Note: 1, Any gas that not mentioned above, just contact AIYI Technologies for further information; 2, 1µmol/mol=1ppm



BUSINESS CARD

Nanjing AIYI Technologies Co., Ltd.

Address: Building 13, No. 1318 Qingshuiting East Road, Jiangning District,
Nanjing City 210000, Jiangsu Province, China

Tel : +86 25 87756351

Fax : +86 25 87787362

Website : www.aeindustry.com

www.autequ.com

E-mail : sales@autequ.com

Disclaimer: All images in this document, configuration, technical parameters are for reference only;
The specific configuration and parameters are subject to the factory documents.