

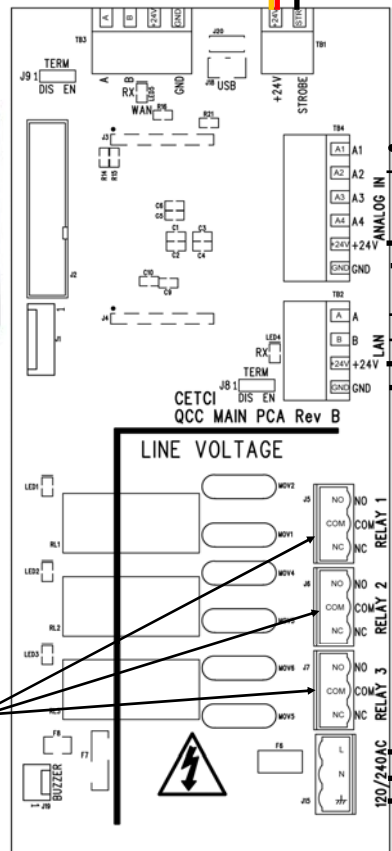
CRITICAL ENVIRONMENT TECHNOLOGIES CANADA INC.
www.critical-environment.com
QCC-M or QCC-B TO LPT-A-O2 WITH QCC-RDM AND RSH-24V WIRING CONNECTION DRAWING
REV-A July 12, 2017

Yellow wire is for the strobe
 Red wire is for the horn
 Black wire is for ground

RSH-24V



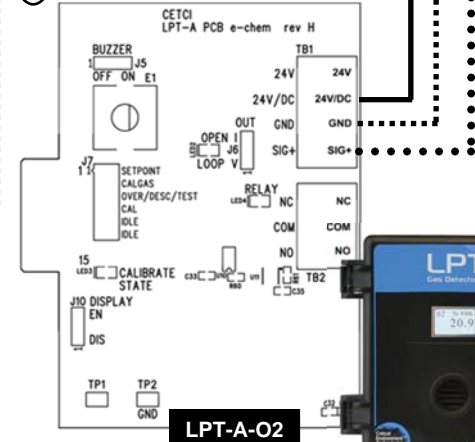
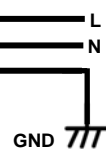
QCC-M or QCC-B



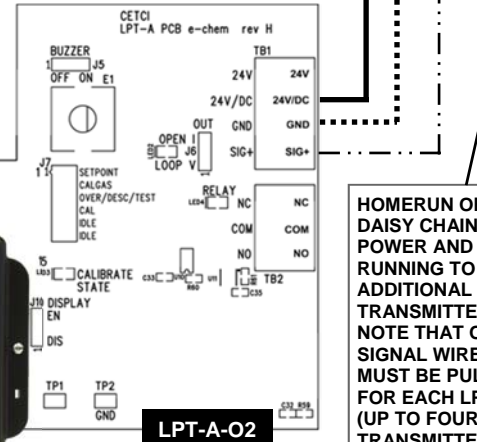
THREE RELAY CONTROL WIRING TERMINALS. CONNECT TO COM & NC. **DO NOT USE SOLID CORE WIRE.**
 RELAYS OPERATE IN "FAIL SAFE" CONFIGURATON.

EARTH GROUND SHIELD (inside QCC enclosure)

INSTALLER SUPPLIED LINE VOLTAGE (90-240 VAC, 50-60 HZ)

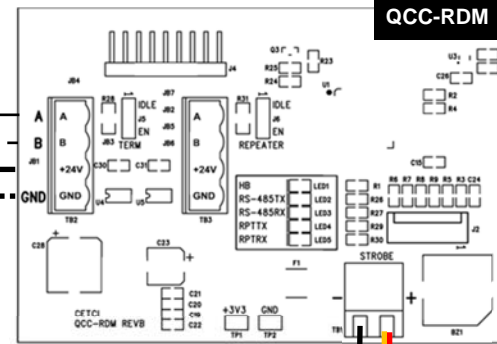


LPT-A-O2



LPT-A-O2

HOMERUN OR DAISY CHAIN POWER AND GND RUNNING TO ADDITIONAL LPT-A TRANSMITTERS. NOTE THAT ONE SIGNAL WIRE MUST BE PULLED FOR EACH LPT-A (UP TO FOUR) TRANSMITTERS ADDED.



QCC-RDM

EARTH GROUND SHIELD NOT CONNECTED ON LAST DEVICE



Yellow wire is for the strobe
 Red wire is for the horn
 Black wire is for ground

RSH-24V

