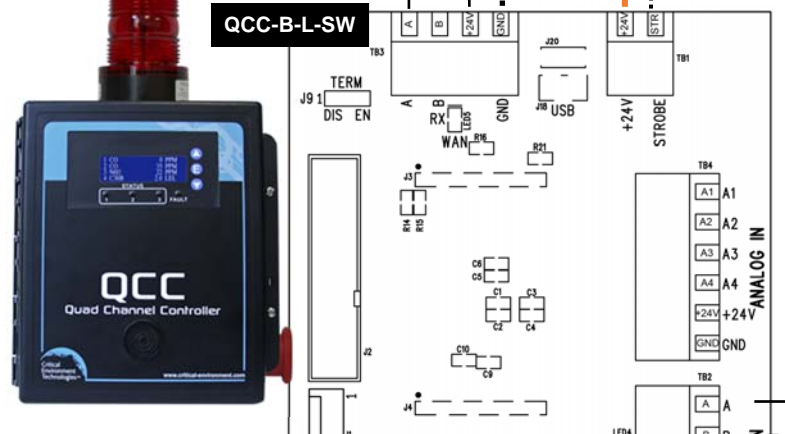
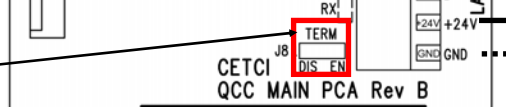


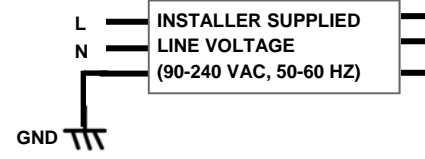
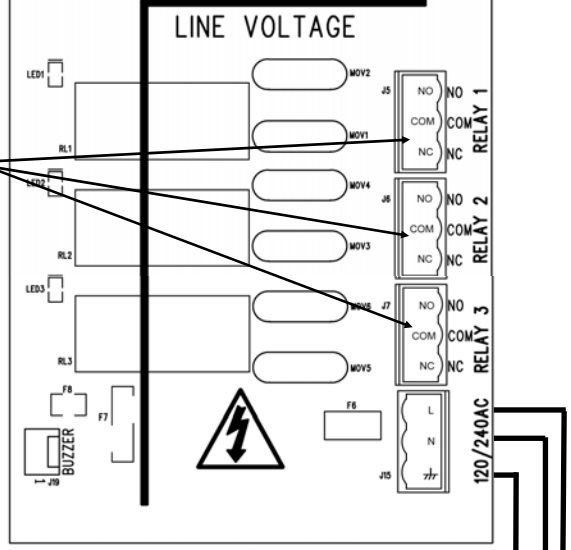
**NOTE #1** To enable Strobe only, connect the yellow wire and the black (ground) wire as shown. To enable Horn only, connect the red wire and the black (ground) wire. To enable both, connect the yellow and red wire to +24V and the black wire (ground) to STR.



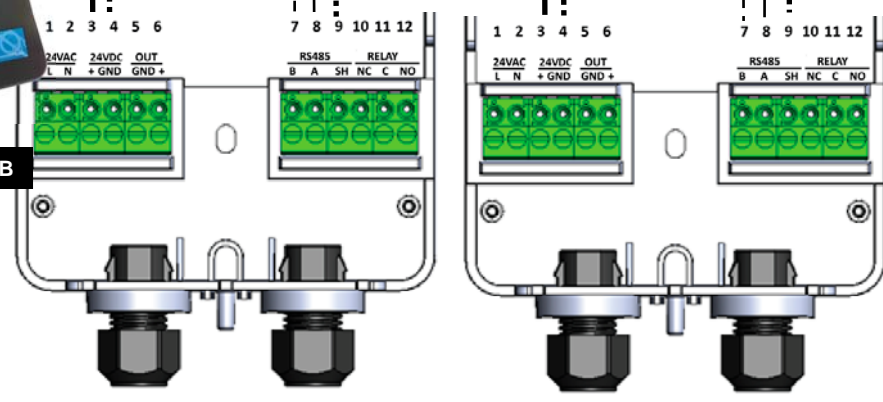
TERMINATION JUMPER IN EN POSITION IF FIRST DEVICE IN NETWORK CHAIN



THREE RELAY CONTROL WIRING TERMINALS. CONNECT TO COM & NC. **DO NOT USE** SOLID CORE WIRE. RELAYS OPERATE IN "FAIL SAFE" CONFIGURATON.

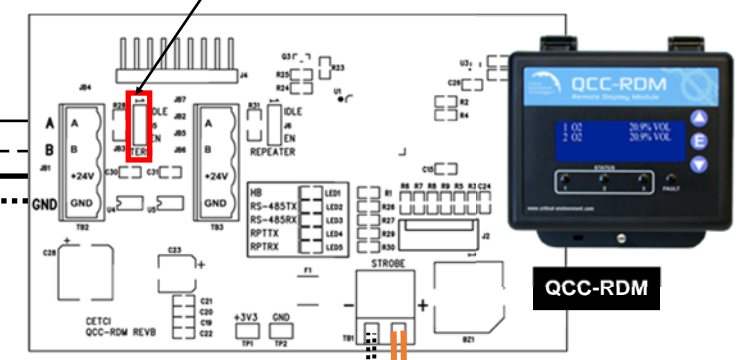


EARTH GROUND SHIELD (inside QCC enclosure)



EARTH GROUND SHIELD NOT CONNECTED (if last device)

TERMINATION JUMPER IN EN POSITION IF LAST DEVICE IN NETWORK CHAIN



DAISY-CHAIN WIRES RUNNING TO NEXT ART OR MODBUS DEVICE

RED WIRE FOR HORN CONNECTION SEE NOTE #1



CRITICAL ENVIRONMENT TECHNOLOGIES CANADA INC.  
[www.critical-environment.com](http://www.critical-environment.com)  
 QCC-B-L-SW WITH RSH-24V-R CONNECTED TO TWO ART-B USING MODBUS AND QCC-RDM WITH TWO RSH-24V-R WIRING CONNECTION DRAWING  
 REV-A June 20, 2017