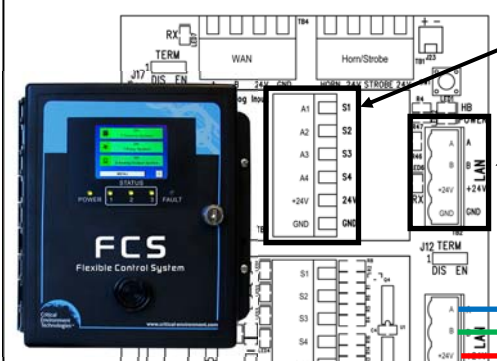
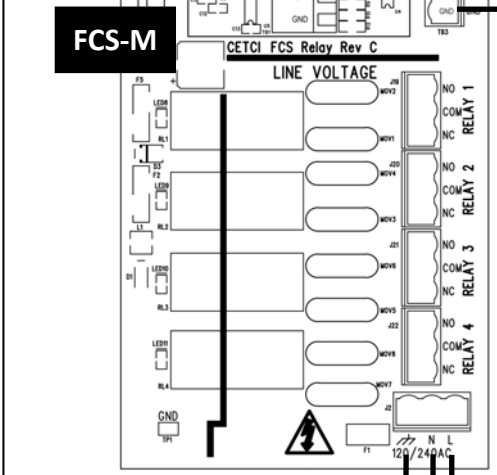


FCS-M CONNECTED TO RLY-8 REMOTE RELAY
WIRING CONNECTION DRAWING

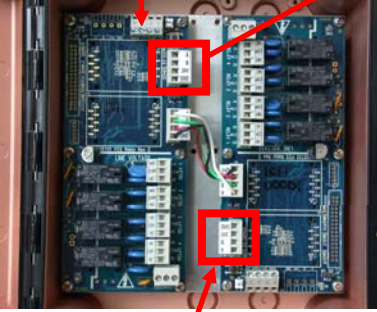
REV-A May 10, 2018



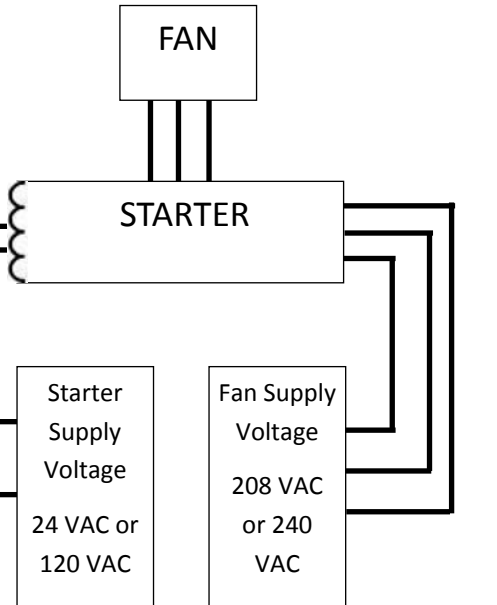
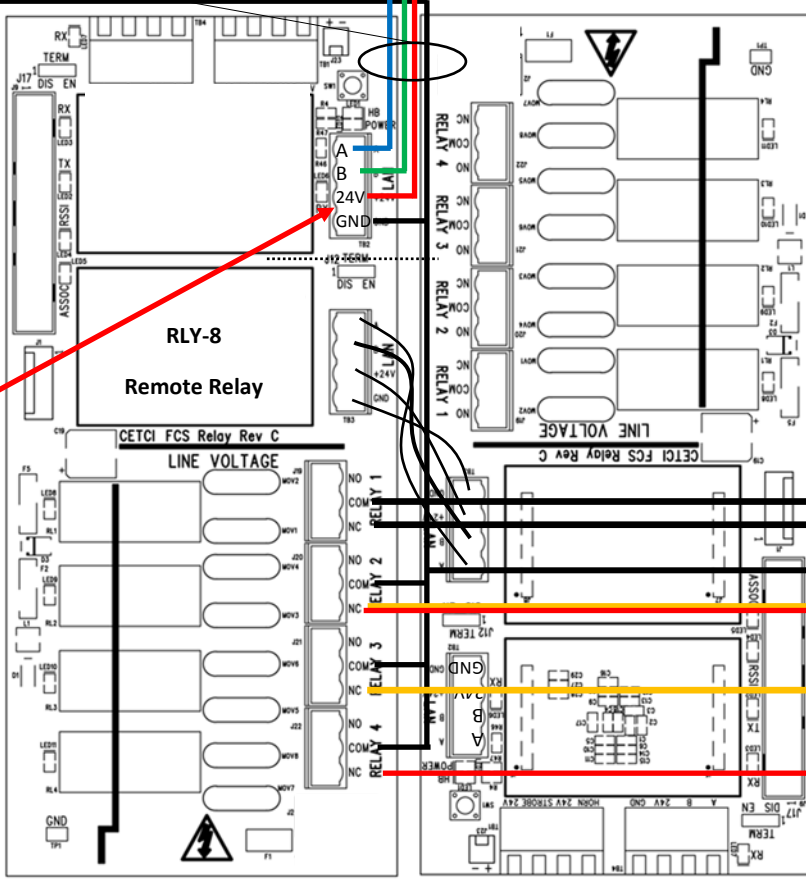
Optional Analog Input connection for analog transmitters.
Modbus input connection for digital transmitters.



L
N
GND
INSTALLER SUPPLIED
LINE VOLTAGE
(90-240 VAC, 50-60 HZ)



SAME CONNECTOR ON THE
SECOND SET OF 4 RELAYS.



Starter
Supply
Voltage
24 VAC or
120 VAC

Fan Supply
Voltage
208 VAC
or 240
VAC



Strobe & Horn operate together

Strobe & Horn operate independently

To enable Strobe only, connect the yellow wire and the black wire. To enable Horn only, connect the red wire and the black wire.

EIGHT RELAY CONTROL WIRING
TERMINALS.
CONNECT TO COM & NC. DO NOT
USE SOLID CORE WIRE.
RELAYS OPERATE IN "FAIL SAFE"
CONFIGURATON.

EARTH GROUND SHIELD (inside FCS enclosure)