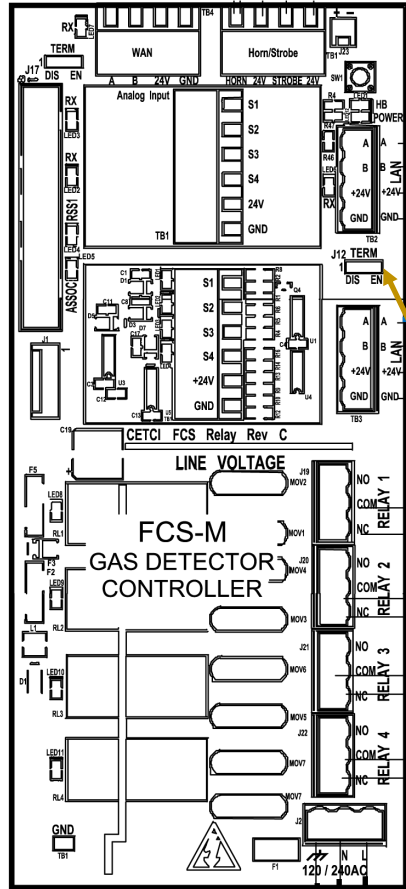
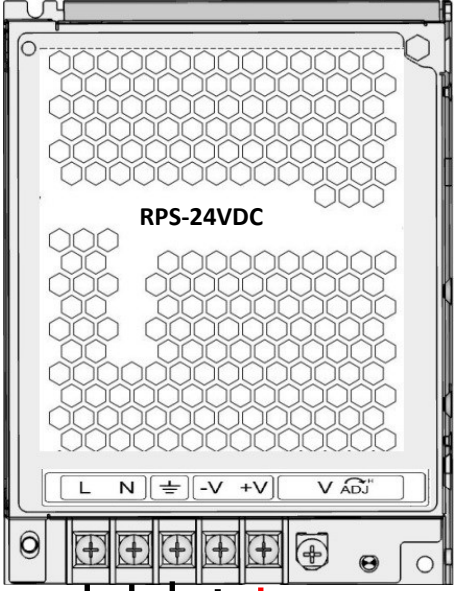
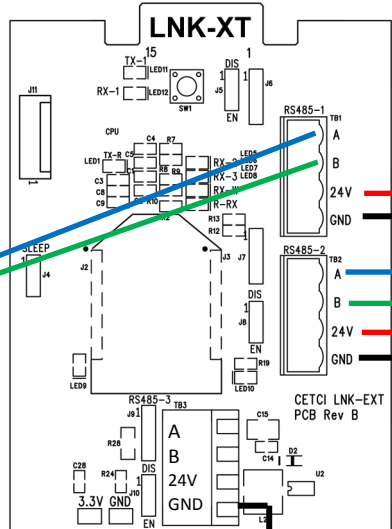
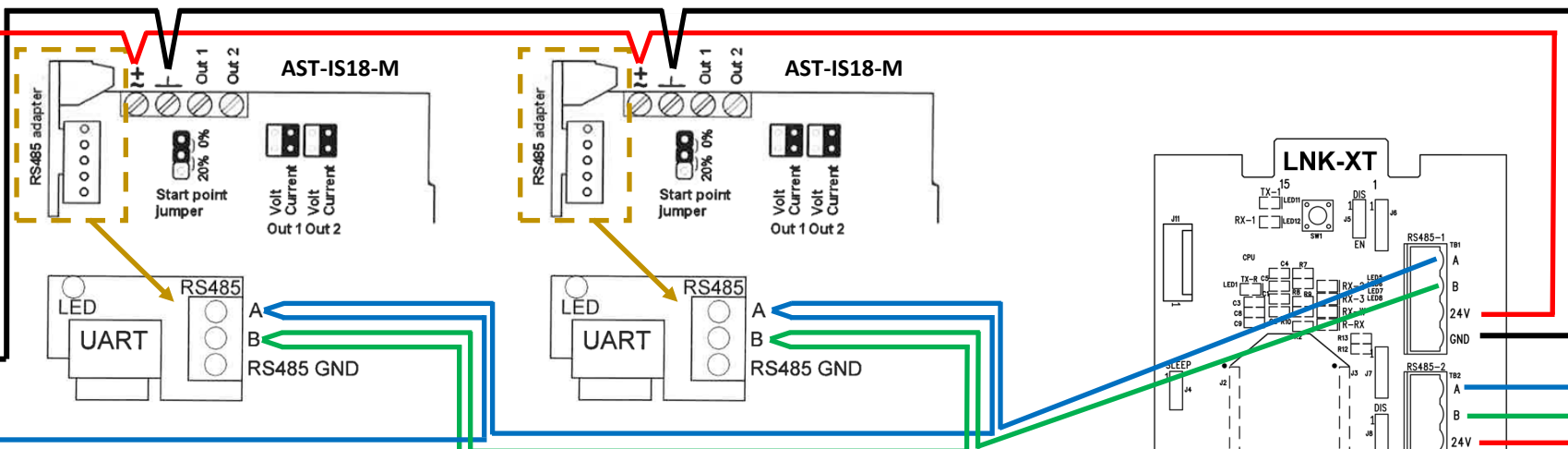


FCS-M-AIAO-DL



L — INSTALLER SUPPLIED
N — LINE VOLTAGE
GND — (90-240 VAC, 50-60 HZ)



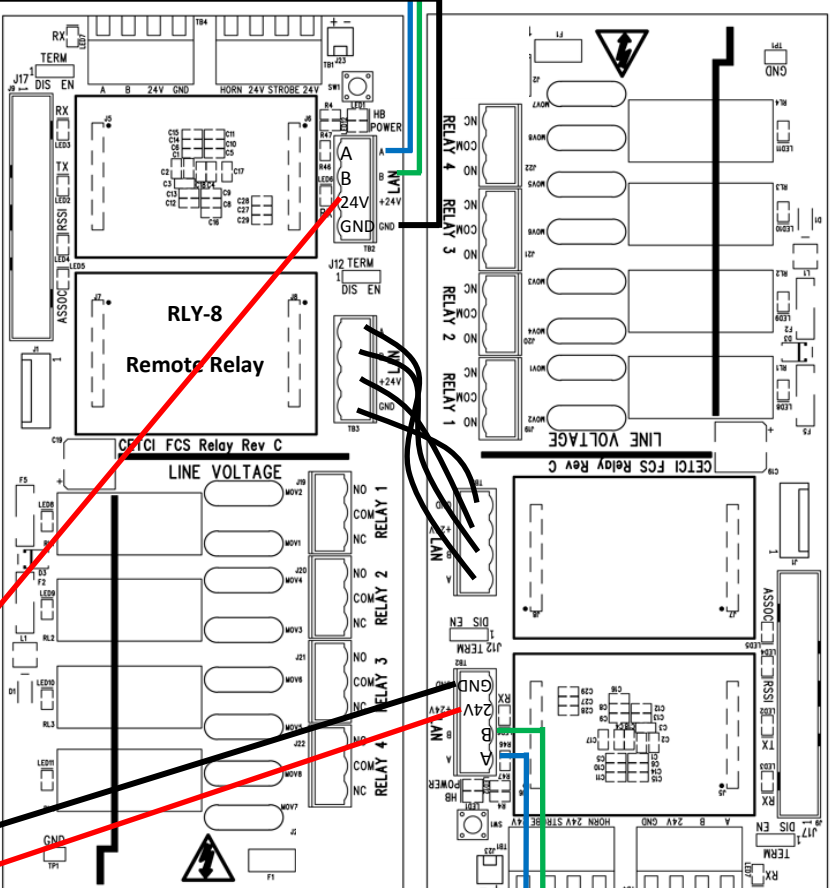
L — INSTALLER SUPPLIED
N — LINE VOLTAGE
GND — (90-240 VAC, 50-60 HZ)

CRITICAL ENVIRONMENT TECHNOLOGIES CANADA INC. www.critical-environment.com	
PRODUCTS	MODBUS SYSTEM WIRING DIAGRAM FOR: FCS-M-AIAO-DL CONTROLLER AST-IS18 MODBUS CO2 TRANSMITTERS RLY-8 REMOTE RELAYS LNK-XT NETWORK EXTENDER RPS-24VDC REMOTE POWER SUPPLY
FEBRUARY 16, 2018	REV: 2

FIRST AND LAST DEVICE IN BUS
REQUIRES A TERMINATION RESISTOR.
RECOMMEND ENDING BUS WITH RLY-8.

Relays on this side (RR) setup
for Line Voltage Control

Relays on this side (RR) configured
for Line Voltage Control (Fans)



Relays on this side (RL) configured
for Low Voltage Control

ALL 8 RELAYS OPERATE IN A
"FAILSAFE" CONFIGURATON

Relays on this side (RL) setup for Low Voltage Control

