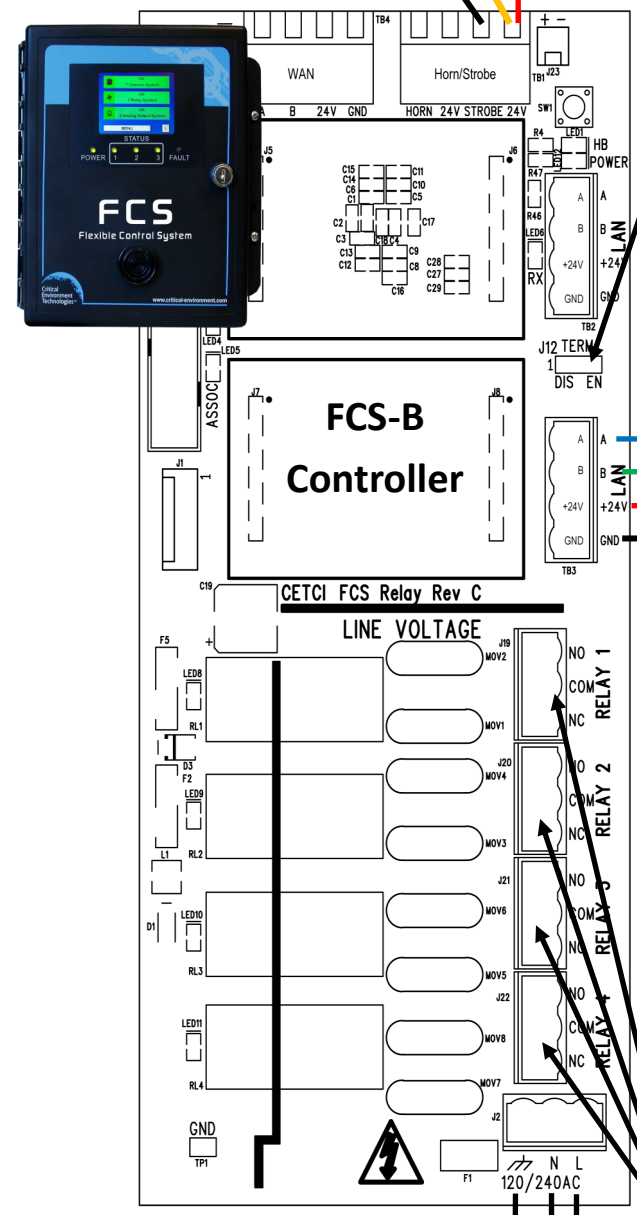
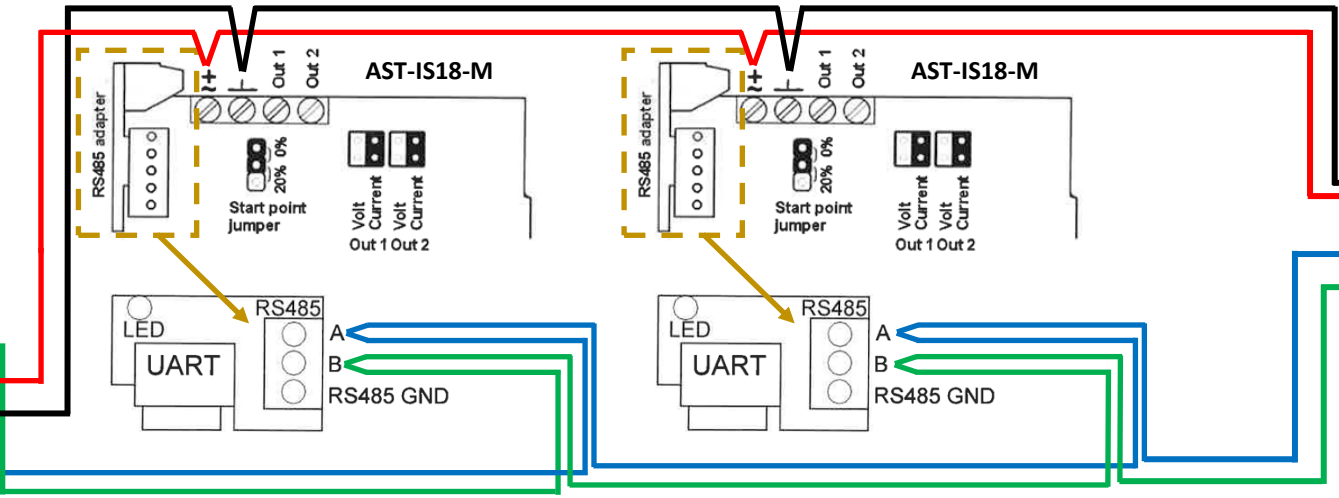


PRODUCTS	MODBUS SYSTEM WIRING DIAGRAM FOR: FCS-B CONTROLLER AST-IS18 MODBUS CO2 TRANSMITTERS RSH-24VDC REMOTE STROBE/HORN
	AUGUST 1, 2018 REV: 1



FIRST AND LAST DEVICE IN BUS REQUIRE A TERMINATION RESISTOR.



DAISY-CHAIN WIRES RUNNING TO ADDITIONAL AST-IS-M DIGITAL TRANSMITTERS.
FIRST AND LAST DEVICE IN BUS REQUIRE A TERMINATION RESISTOR.

EARTH GROUND SHIELD (inside FCS enclosure)

RELAY CONTROL WIRING:
CONNECT TO COM & NC.
DO NOT USE SOLID CORE WIRE.
RELAYS OPERATE IN A "FAILSAFE" CONFIGURATION.

