

THIS FCS + LPT-P COMBINATION MAKES (UP TO) A 128 CHANNEL GAS DETECTION MONITORING SYSTEM FOR VEHICLE EXHAUST GAS DETECTION APPLICATIONS.

EARTH GROUND SHIELD (inside FCS enclosure)

DAISY-CHAIN WIRES RUNNING TO ADDITIONAL LPT-P MODBUS TRANSMITTERS.

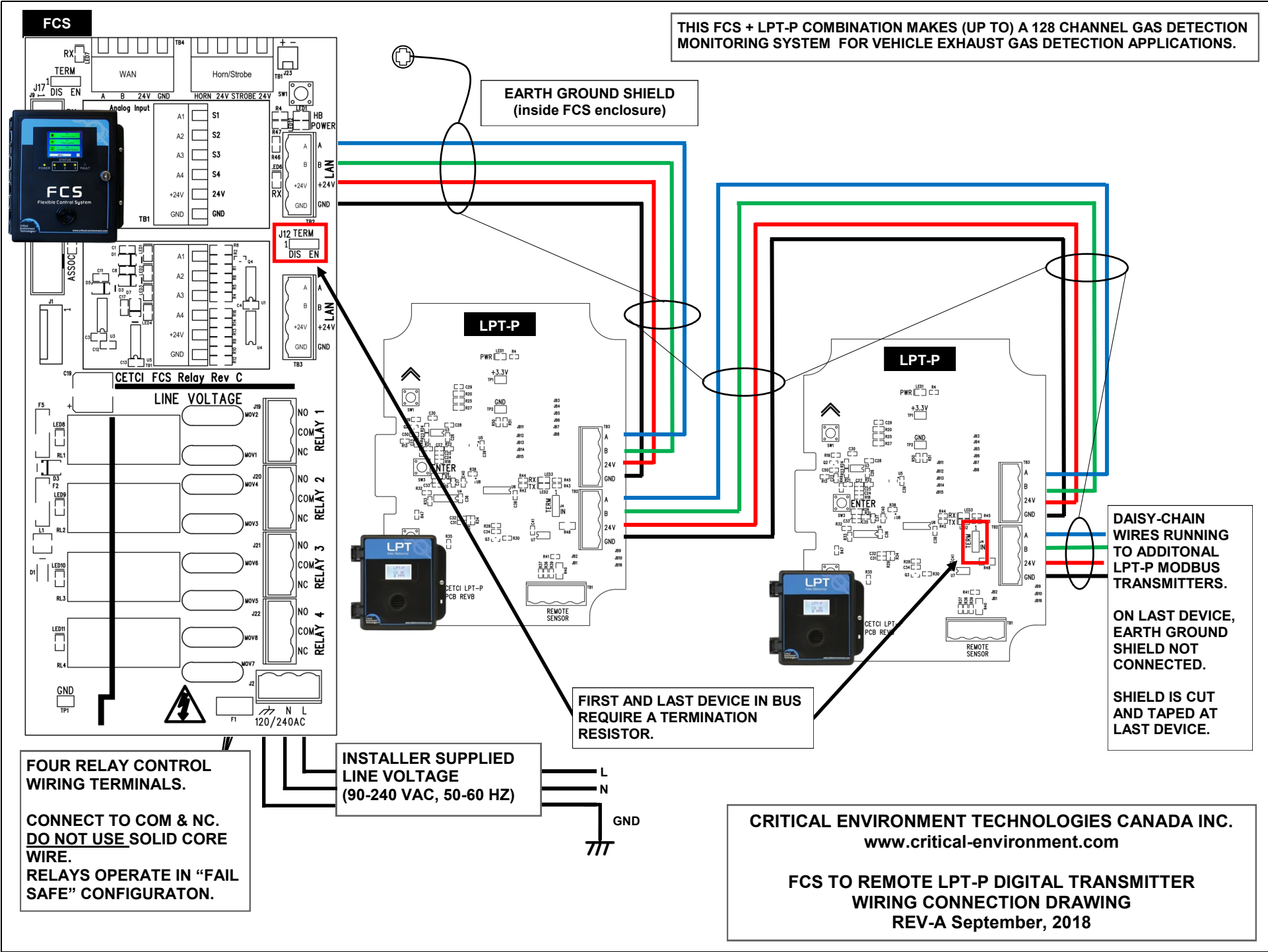
ON LAST DEVICE, EARTH GROUND SHIELD NOT CONNECTED.

SHIELD IS CUT AND TAPED AT LAST DEVICE.

FIRST AND LAST DEVICE IN BUS REQUIRE A TERMINATION RESISTOR.

CRITICAL ENVIRONMENT TECHNOLOGIES CANADA INC.
www.critical-environment.com

FCS TO REMOTE LPT-P DIGITAL TRANSMITTER WIRING CONNECTION DRAWING
REV-A September, 2018



FOUR RELAY CONTROL WIRING TERMINALS.
CONNECT TO COM & NC. DO NOT USE SOLID CORE WIRE.
RELAYS OPERATE IN "FAIL SAFE" CONFIGURATON.

INSTALLER SUPPLIED LINE VOLTAGE (90-240 VAC, 50-60 HZ)

