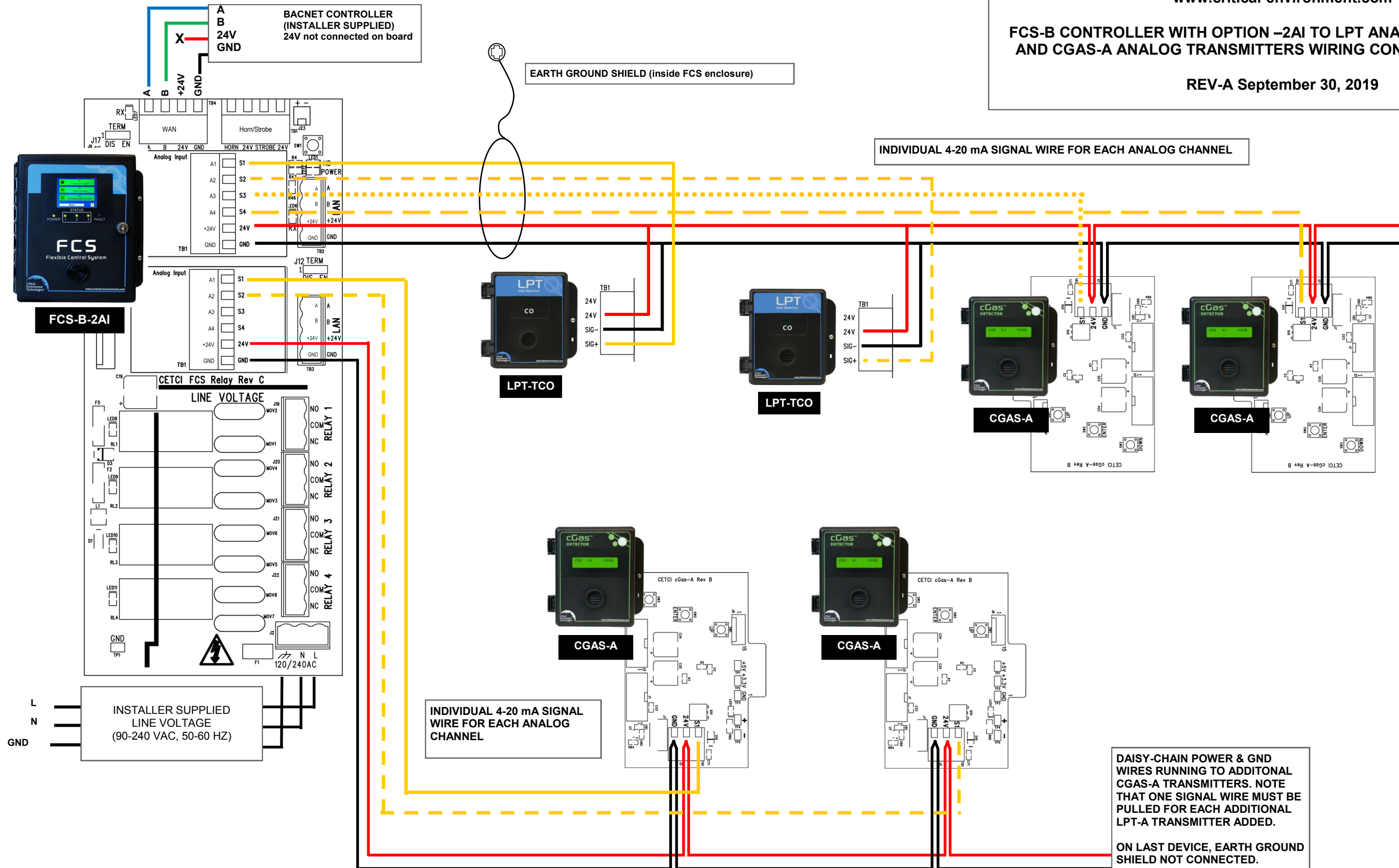


FCS-B CONTROLLER WITH OPTION -2AI TO LPT ANALOG TRANSMITTERS
AND CGAS-A ANALOG TRANSMITTERS WIRING CONNECTION DRAWING

REV-A September 30, 2019



EARTH GROUND SHIELD (inside FCS enclosure)

INDIVIDUAL 4-20 mA SIGNAL WIRE FOR EACH ANALOG CHANNEL

DAISY-CHAIN POWER & GND WIRES RUNNING TO ADDITIONAL LPT OR CGAS-A TRANSMITTERS. NOTE THAT ONE SIGNAL WIRE MUST BE PULLED FOR EACH ADDITIONAL ANALOG TRANSMITTER ADDED.

ON LAST DEVICE, EARTH GROUND SHIELD NOT CONNECTED.

SHIELD IS CUT AND TAPED AT LAST DEVICE.

INDIVIDUAL 4-20 mA SIGNAL WIRE FOR EACH ANALOG CHANNEL

DAISY-CHAIN POWER & GND WIRES RUNNING TO ADDITIONAL CGAS-A TRANSMITTERS. NOTE THAT ONE SIGNAL WIRE MUST BE PULLED FOR EACH ADDITIONAL LPT-A TRANSMITTER ADDED.

ON LAST DEVICE, EARTH GROUND SHIELD NOT CONNECTED.

SHIELD IS CUT AND TAPED AT LAST DEVICE.

L
N
GND

INSTALLER SUPPLIED
LINE VOLTAGE
(90-240 VAC, 50-60 HZ)

FCS-B-2AI

LPT-TCO

LPT-TCO

CGAS-A

CGAS-A

CGAS-A

CGAS-A

BACNET CONTROLLER
(INSTALLER SUPPLIED)
24V not connected on board

