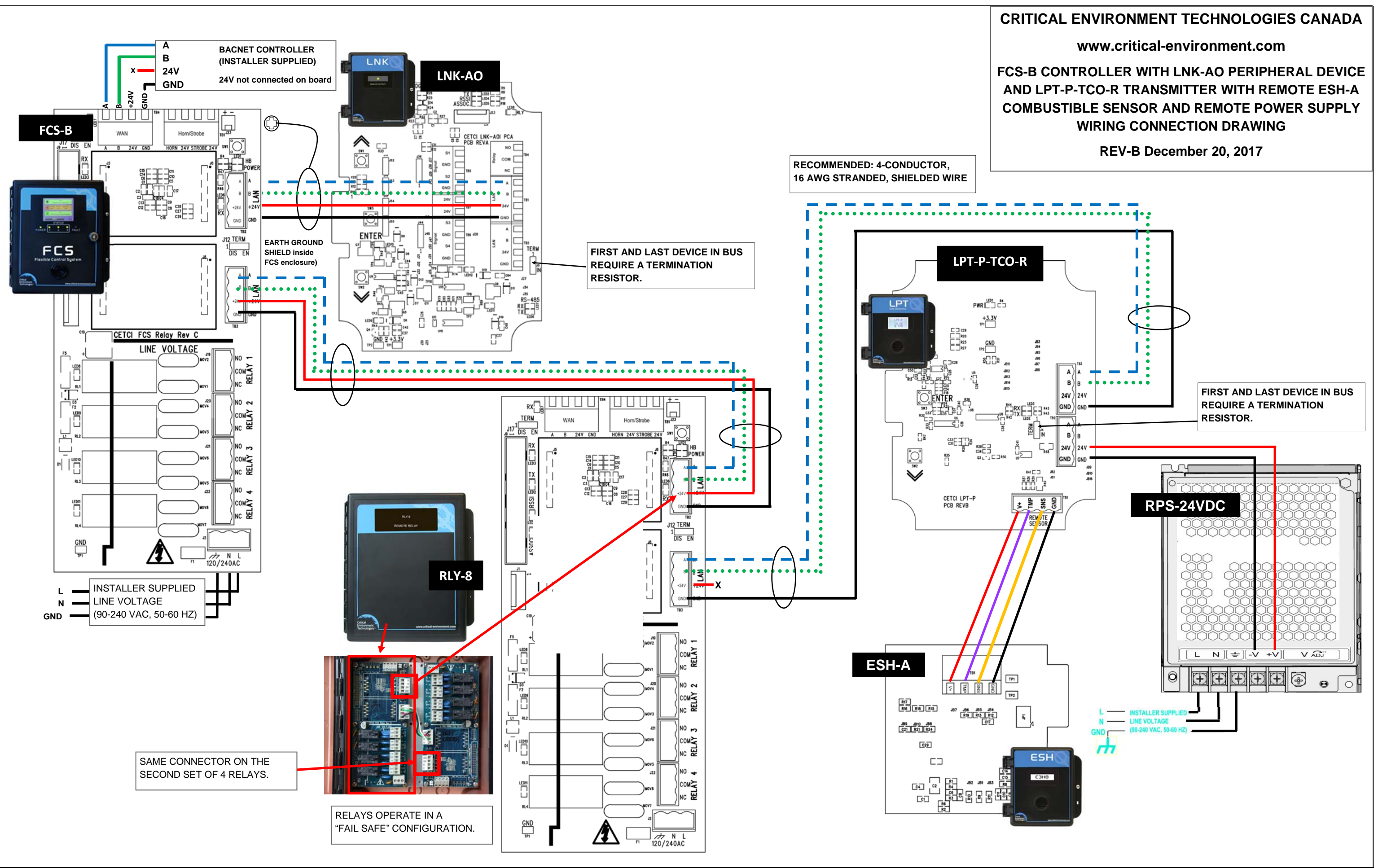


FCS-B CONTROLLER WITH LNK-AO PERIPHERAL DEVICE AND LPT-P-TCO-R TRANSMITTER WITH REMOTE ESH-A COMBUSTIBLE SENSOR AND REMOTE POWER SUPPLY WIRING CONNECTION DRAWING

REV-B December 20, 2017

RECOMMENDED: 4-CONDUCTOR, 16 AWG STRANDED, SHIELDED WIRE



A BACNET CONTROLLER (INSTALLER SUPPLIED)  
B 24V  
GND 24V not connected on board

FIRST AND LAST DEVICE IN BUS REQUIRE A TERMINATION RESISTOR.

FIRST AND LAST DEVICE IN BUS REQUIRE A TERMINATION RESISTOR.

SAME CONNECTOR ON THE SECOND SET OF 4 RELAYS.

RELAYS OPERATE IN A "FAIL SAFE" CONFIGURATION.

L INSTALLER SUPPLIED LINE VOLTAGE (90-240 VAC, 50-60 HZ)  
N  
GND