

Refrigerant Transmitter E2618-HFC



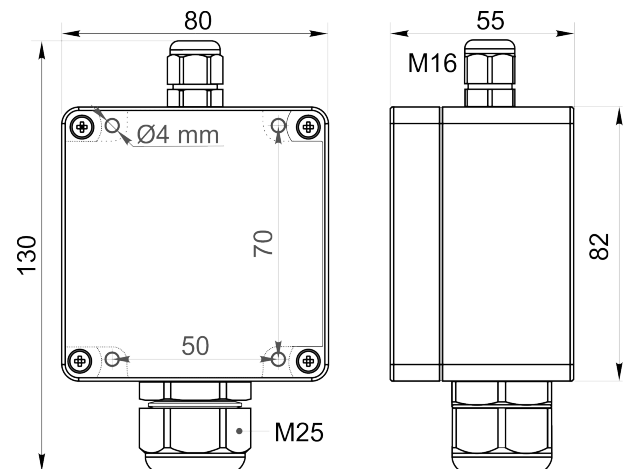
Features

- Wall-mount or duct-mount version
- Accurate and stable measurement
- Industrial IP65 housing
- Two analog outputs settable to 4-20 mA or 0-10 V
- RS485 Modbus RTU digital interface
- Attached or remote sensor

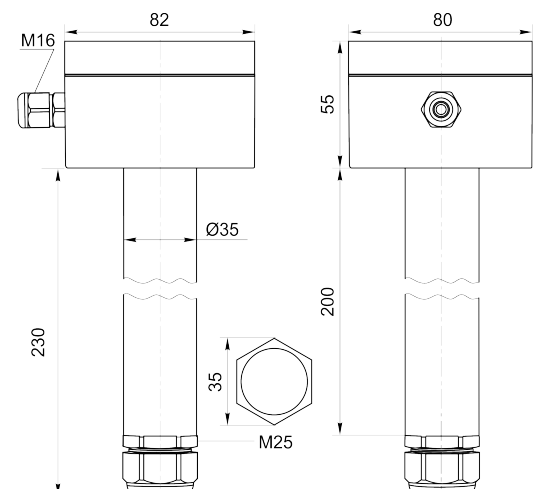
Specifications

Calibration	Refrigerant gas
Default calibration	R-404a
Sensor type	Metal-oxide semiconductor
Sampling method	Diffusion
Detection ranges	0...1000 ppm 0...2500 ppm
Resolution / digital unit	1 ppm
Response time T80	<120 s
Signal update	Every 1 second
Sensor lifetime	> 5 years
Maintenance interval	12 months
Self-diagnostics	Full functionality check at start-up
Warm-up time	≤ 1 min
Power supply	12...36 VDC (default) 24 VAC as option
Power consumption	< 2 VA
Digital interface	RS485, Modbus RTU protocol
Analog outputs	2 × 4-20 mA / 0-10 V, user settable
Output scale width	Recommended: 20-100% of the range; > 10 × resolution in any case
Enclosure	Grey ABS plastic, wall mount, protection class IP65
Dimensions	H82 × W80 × D55 mm
Remote sensor probe	Protection IP65, shielded cable default cable length 3.0 m
Operating environment	Industrial indoor and outdoor locations
Operating conditions	-30...+60 °C, <95 %RH; Atmospheric pressure ±10%; Non-atex rated spaces; Normal ambient oxygen level;

Wall mount version



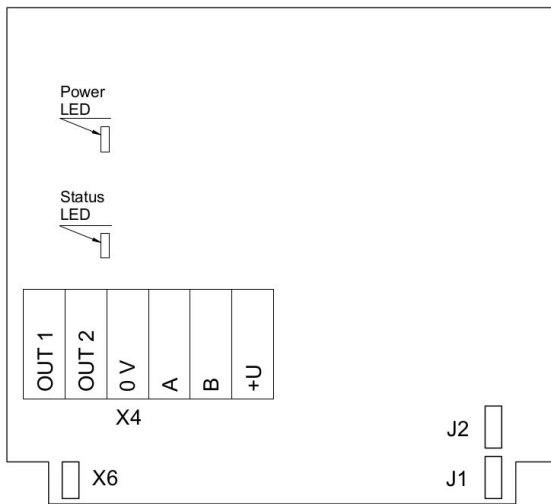
Duct mount version



Ask for other versions or custom designed products



Connection diagram



PCB without PSU and relays

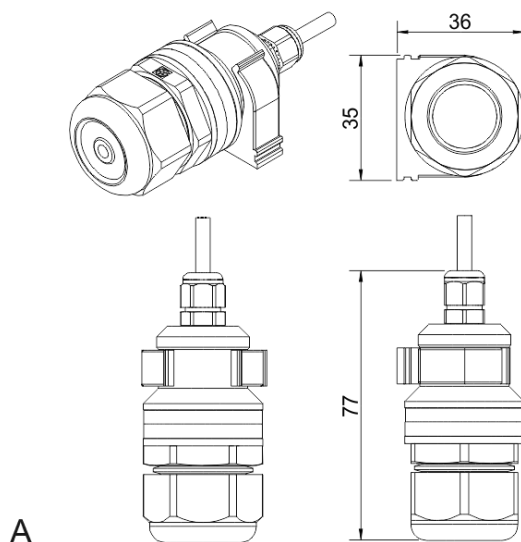
Jumpers

J1	OUT1 type (open: 4-20 mA; closed 0-10 V)
J2	OUT2 type (open: 4-20 mA; closed 0-10 V)
X6	Reset Modbus network parameters to default

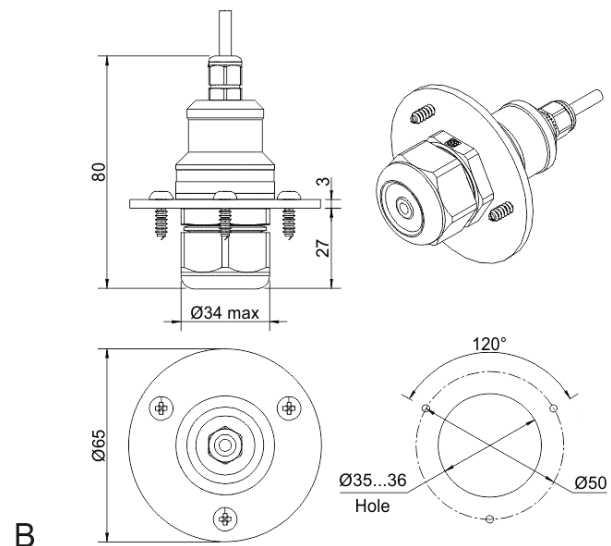
X4 terminals

OUT1	4-20 mA / 0-10 V output
OUT2	4-20 mA / 0-10 V output
0V	0 V / 24 VAC Neutral (optional)
A	RS485 A / Data +
B	RS485 B / Data -
+U	+24 VDC / 24 VAC Phase (optional)

Remote probe



Wall mount remote probe with fixing clamp (default version)



Remote probe with rubber flange and three self-tapping screws (on request)

