



# Ozone Transmitter E2618-O3



## Features

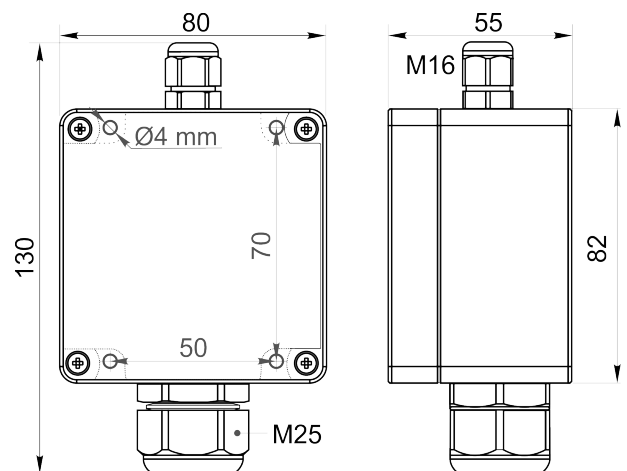
- Wall-mount or duct-mount version
- Industrial IP65 housing
- Two analog outputs settable to 4-20 mA or 0-10 V
- RS485 Modbus RTU digital interface
- Attached or remote sensor

## Specifications

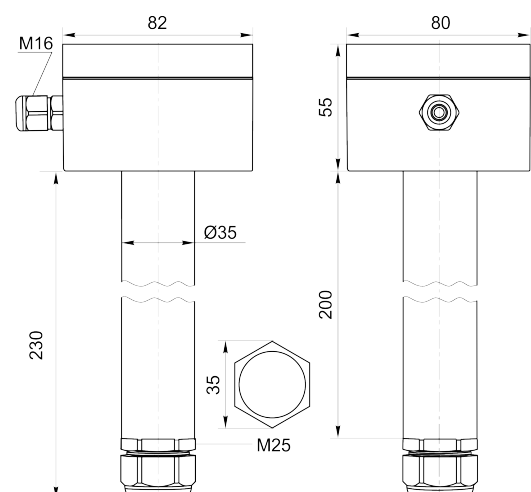
|                         |  |
|-------------------------|--|
| Calibration             | Ozone O <sub>3</sub>   |
| Sensor type             | Electrochemical  |
| Sampling method         | Diffusion  |
| Typical detection range | 0...5 ppm  |
| Maximum overload        | 50 ppm   |
| Resolution              | 0.01 ppm   |
| Response time T90       | < 60 s   |
| Signal update           | Every 1 second   |
| Sensor lifetime         | > 2 years  |
| Maintenance interval    | 6 months   |
| Self-diagnostics        | Full functionality check at start-up   |
| Warm-up time            | ≤ 1 min  |
| Power supply            | 12...36 VDC (default)<br>24 VAC as option  |
| Power consumption       | < 2 VA   |
| Digital interface       | RS485, Modbus RTU protocol   |
| Analog outputs          | 2 × 4-20 mA / 0-10 V, user settable  |
| Output scale width      | Recommended: 20-100% of the range;<br>> 10 × resolution in any case  |
| Enclosure               | Grey ABS plastic, wall mount,<br>protection class IP65   |
| Dimensions              | H82 × W80 × D55 mm   |
| Remote sensor probe     | Protection IP65, shielded cable<br>default cable length 3.0 m  |
| Operating environment   | Industrial indoor and outdoor locations  |
| Operating conditions    | -40...+50 °C; 15...90% RH non-condensing;<br>0,9...1,1 atm;<br>Explosion-safe areas<br>Non-aggressive atmosphere |

**NOTE!** We offer technical solutions for extreme humidity, please ask for more information.

### Wall mount version



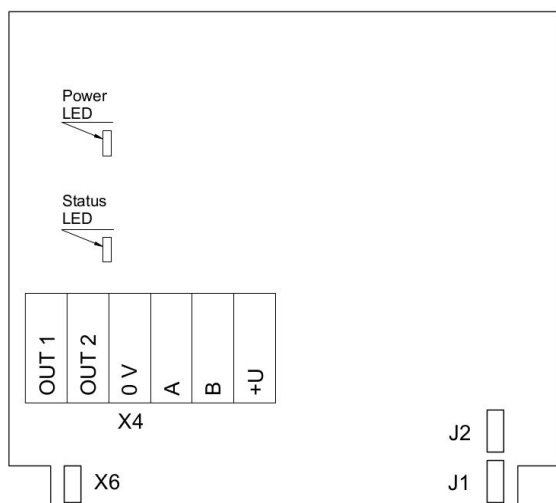
### Duct mount version



Ask for other versions or custom designed products



## Connection diagram



PCB without PSU and relays

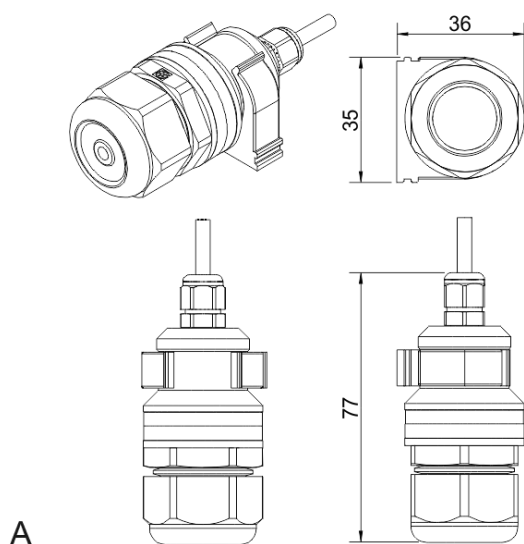
### Jumpers

- J1**                   OUT1 type (open: 4-20 mA; closed 0-10 V)
- J2**                   OUT2 type (open: 4-20 mA; closed 0-10 V)
- X6**                   Reset Modbus network parameters to default

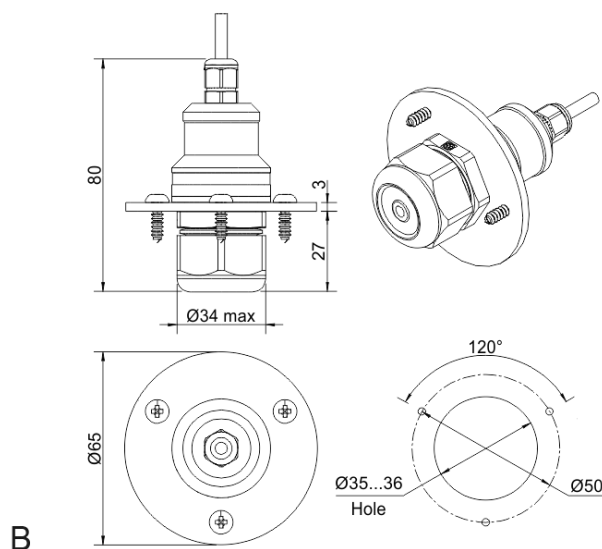
### X4 terminals

- OUT1**               4-20 mA / 0-10 V output
- OUT2**               4-20 mA / 0-10 V output
- 0V**                   0 V / 24 VAC Neutral (optional)
- A**                    RS485 A / Data +
- B**                    RS485 B / Data -
- +U**                  +24 VDC / 24 VAC Phase (optional)

## Remote probe



Wall mount remote probe with fixing clamp (default version)



Remote probe with rubber flange and three self-tapping screws (on request)

