

# Carbon Dioxide Transmitter E2618-CO2



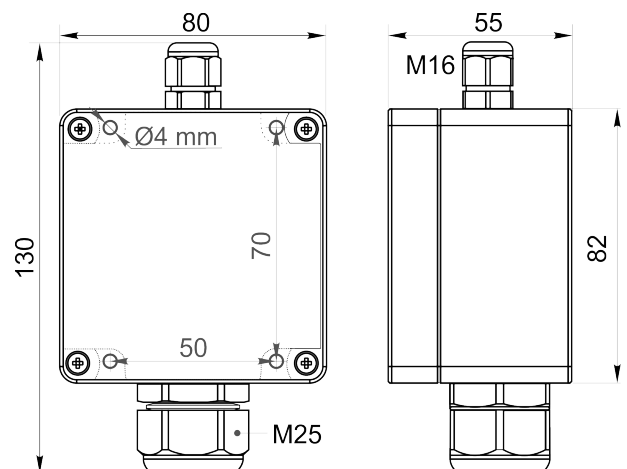
## Features

- Wall-mount or duct-mount version
- Industrial IP65 housing
- Two analog outputs settable to 4-20 mA or 0-10 V
- RS485 Modbus RTU digital interface
- Attached or remote sensor

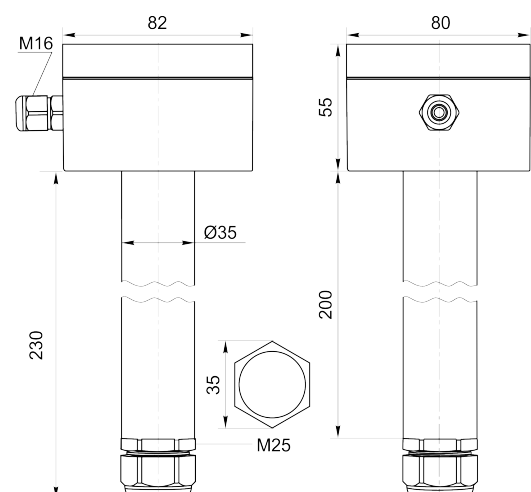
## Specifications

Calibration	Carbon dioxide CO <sub>2</sub>
Sensor type	Photoacoustic or Dual beam NDIR
Sampling method	Diffusion
Typical detection range	0...10 000 ppm (ordering code 10K) 0...40 000 ppm (ordering code 40K) 0...5% vol (ordering code 50KN) Up to 100% CO <sub>2</sub> on request
Resolution / digital unit	1 ppm for 10K 10 ppm for 40K 0.2% FS for 50KN
Response time	T60 ≤ 60 s for 10K/40K T50 ≤ 20 s; T90 ≤ 60 s for 50KN
Signal update	Every 5 seconds for 10K/40K Every 1 second for 50KN
Sensor lifetime	~ 10 years for 10K/40K ~ 5 years for 50KN
Maintenance interval	No field recalibration if ABC algorithm is enabled for 10K/40K 12 months for 50KN
Self-diagnostics	Full functionality check at start-up
Warm-up time	≤ 1 min
Power supply	12...36 VDC (default) 24 VAC as option
Power consumption	< 2 VA
Digital interface	RS485, Modbus RTU protocol
Analog outputs	2 × 4-20 mA / 0-10 V, user settable
Output scale width	Recommended: 20-100% of the range; > 10 × resolution in any case
Enclosure	Grey ABS plastic, wall mount, protection class IP65
Dimensions	H82 × W80 × D55 mm
Remote sensor probe	Protection IP65, shielded cable default cable length 3.0 m

### Wall mount version

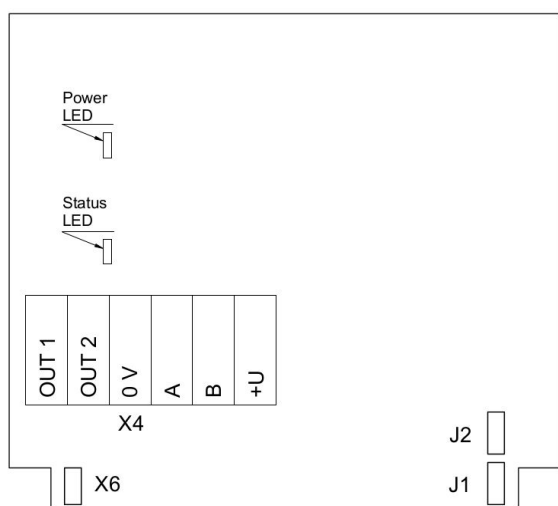


### Duct mount version



Operating environment	Industrial indoor and outdoor locations
Operating conditions	-40...+60 °C, 0...100 %RH; 0,9...1,1 atm; Explosion-safe areas; Non-aggressive atmosphere

## Connection diagram



PCB without PSU and relays

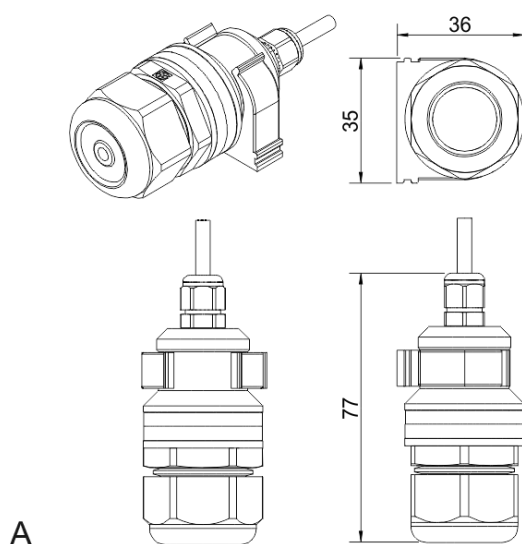
### Jumpers

<b>J1</b>	OUT1 type (open: 4-20 mA; closed 0-10 V)
<b>J2</b>	OUT2 type (open: 4-20 mA; closed 0-10 V)
<b>X6</b>	Reset Modbus network parameters to default

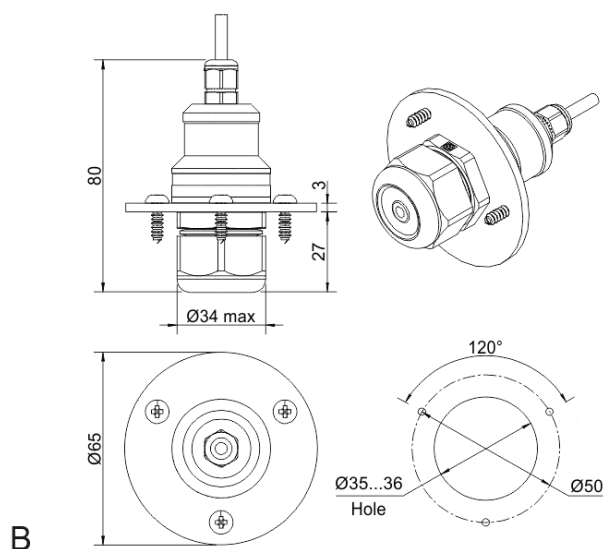
### X4 terminals

<b>OUT1</b>	4-20 mA / 0-10 V output
<b>OUT2</b>	4-20 mA / 0-10 V output
<b>0V</b>	0 V / 24 VAC Neutral (optional)
<b>A</b>	RS485 A / Data +
<b>B</b>	RS485 B / Data -
<b>+U</b>	+24 VDC / 24 VAC Phase (optional)

## Remote probe



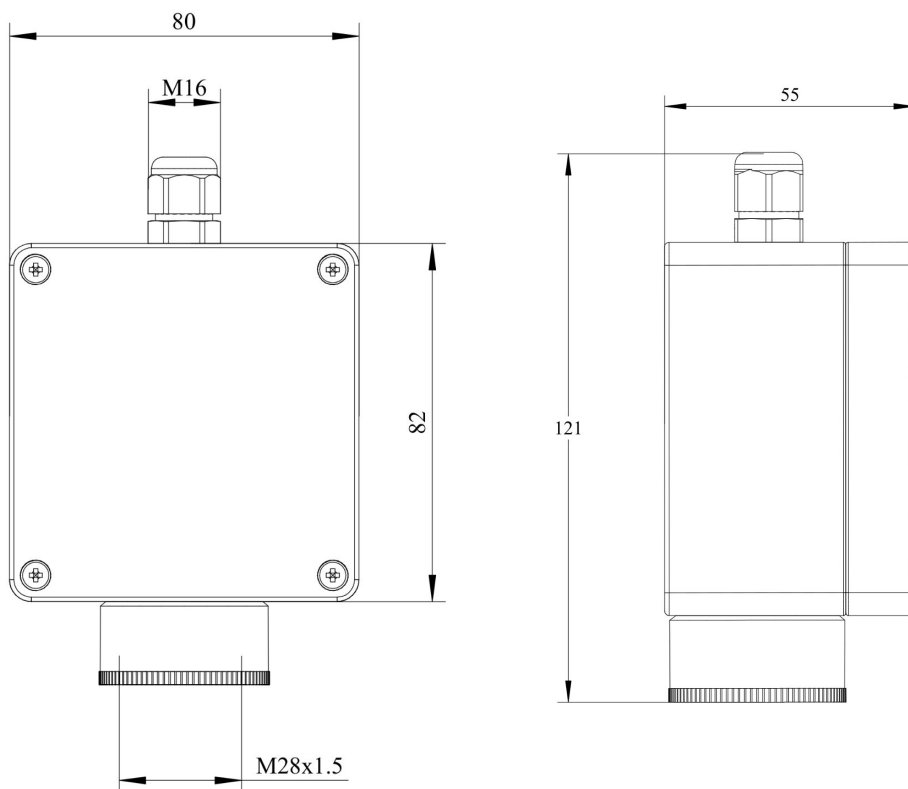
Wall mount remote probe with fixing clamp (default version)



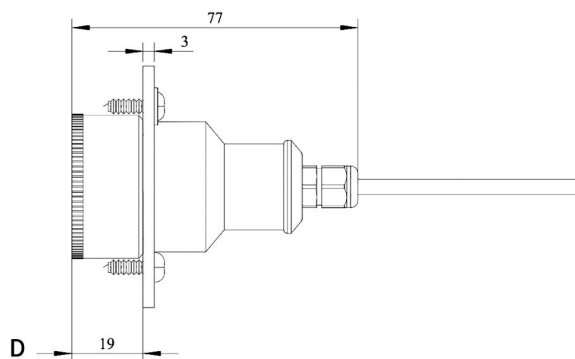
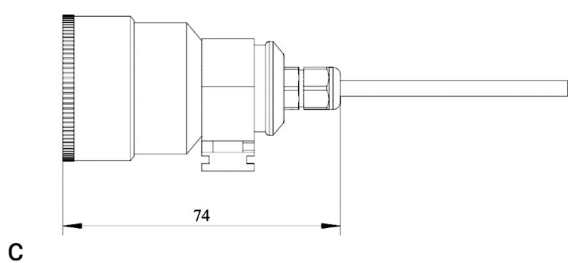
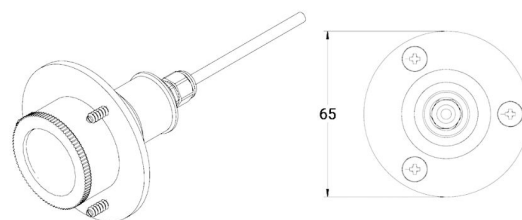
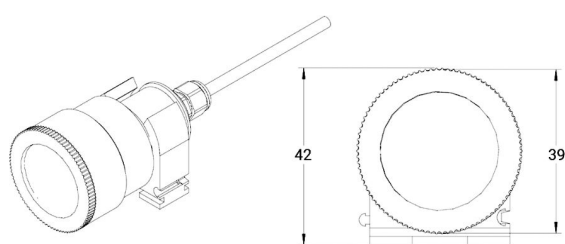
Remote probe with rubber flange and three self-tapping screws (on request)



**With 50KN sensor dimensions**



**50KN sensor Remote probe**



Wall mount remote probe with fixing clamp (default version)

Remote probe with rubber flange and three self-tapping screws (on request)

