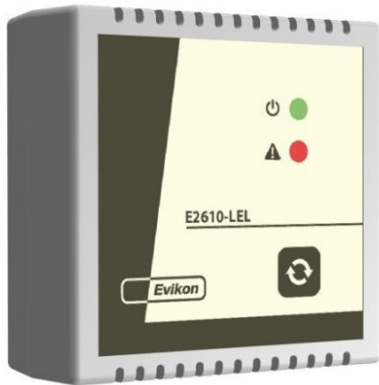




# Combustible Gas Detector E2610-LEL



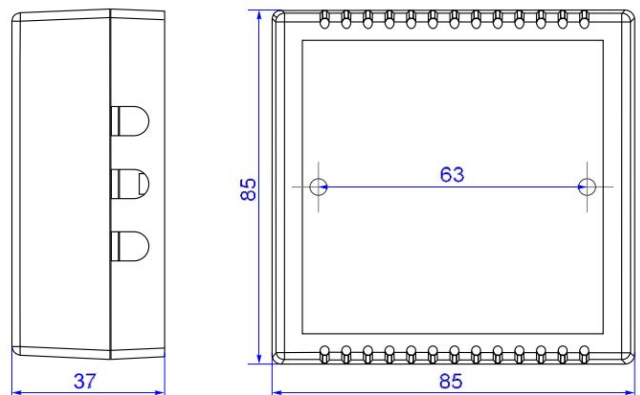
## Features

- Methane, LPG, Hydrogen, Acetylene
- Compact housing providing optimal airflow
- Visual and acoustic alarms
- Two output relays for alarm / ventilation control

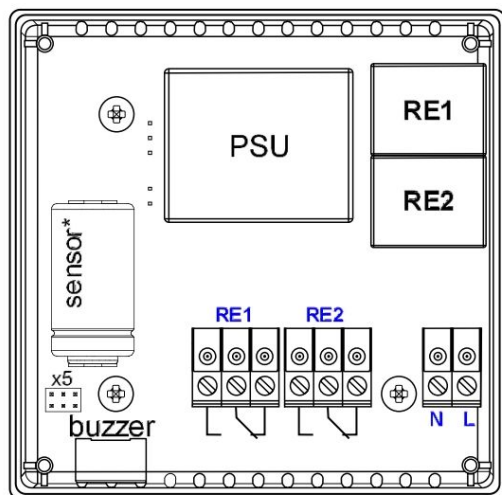
## Specifications

Detected gas	Acetylene, Butane, Hydrogen, Methane, Propane
Sensor type	Metal Oxide Semiconductor
Sampling method	Diffusion
Typical detection range	0...100% LEL
Response time	ca. 60 s
Signal update	Every 1 second
Sensor lifetime	> 5 years
Maintenance interval	12 months
Self-diagnostics	Full functionality check at start-up
Warm-up time	≤ 1 min
Power supply	24 VDC/AC ±20% (default) or 230 VAC (optional)
Power consumption	< 2 VA
Digital interface	UART
Output relays	2 relays with switch-over contact (SPDT), 250 VAC / 30 VDC, 5 A max
Default alarm set-points	Release - LOW - HIGH 7 - 10 - 25% LEL
Alarms	Blinking LED, buzzer 85 dB
Enclosure	ABS plastic with ventilation slots, protection class IP20
Dimensions	H 85 × W 85 × D 37 mm
Operating conditions	-40...+70 °C <95 %RH, non-condensing pressure 0,9...1,1 atm Non-ATEX rated spaces Normal ambient oxygen level Avoid strong mechanical shock, vibrations or EMI; Avoid exposure to corrosive gases or silicone containing products.

## Dimensions



## Connection diagram



\*Sensors may have different shape and/or size

### Terminals

<b>RE1 NO</b>	Relay 1, normally open terminal
<b>RE1 COM</b>	Relay 1, common terminal
<b>RE1 NC</b>	Relay 1, normally closed terminal
<b>RE2 NO</b>	Relay 2, normally open terminal
<b>RE2 COM</b>	Relay 2, common terminal
<b>RE2 NC</b>	Relay 2, normally closed terminal
<b>L</b>	90...265 VAC Phase (optional 24 VAC / VDC)
<b>N</b>	90...265 VAC Neutral (optional 24 VAC / VDC)

