



Two Channel Gas Detectors E2632



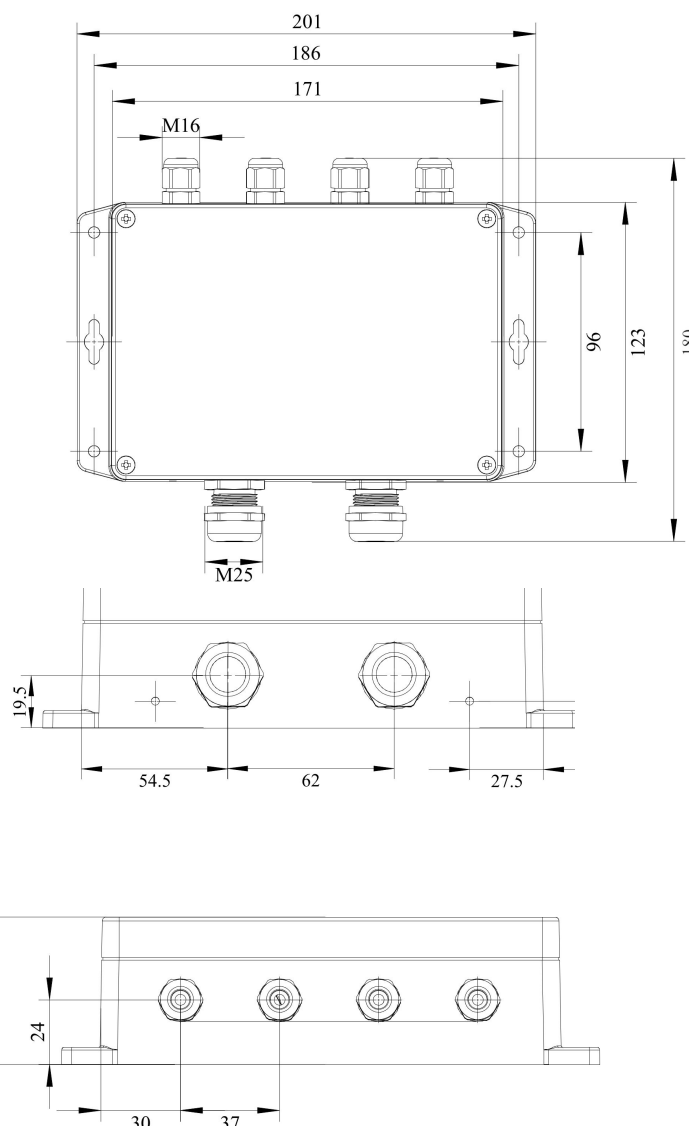
Features

- Simultaneous detection of two gases
- Accurate and stable measurement
- Wall-mount IP65 protected housing
- Visual and acoustic alarms
- Two output relays for alarm / ventilation control

Specifications

Sensor type	Depends on detected gases available are: metal oxide sensors, electrochemical sensors
Sampling method	Diffusion
Signal update	Every 1 second
Warm-up time	≤ 1 min
Power supply	24 VDC/AC ±20% (default) or 230 VAC (optional)
Power consumption	< 4 VA
Digital interface	UART
Output relays	2 relays with switch-over contact (SPDT), 250 VAC / 30 VDC, 5 A max
Alarm set-points	Depending on target gas and application
Alarms	Blinking LED, buzzer 85 dB
Enclosure	Grey wall-mount ABS plastic, protection class IP65
Dimensions	H123 × W201 × D55 mm
Output cable	Max Ø8 mm
Operating environment	Residential, business and industrial indoor spaces
Operating conditions	15...95 %RH, atmospheric pressure ±10% Non-ATEX rated areas temperature depends on the sensor

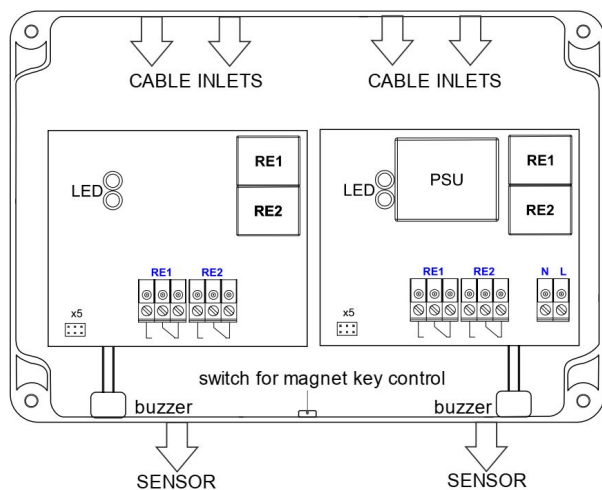
Dimensions



Ask for available gas combinations and possible limitations



Connection diagram



Terminals

RE1 NO	Relay 1, normally open terminal
RE1 COM	Relay 1, common terminal
RE1 NC	Relay 1, normally closed terminal
RE2 NO	Relay 2, normally open terminal
RE2 COM	Relay 2, common terminal
RE2 NC	Relay 2, normally closed terminal
L	90...265 VAC Phase (optional 24 VAC / VDC)
N	90...265 VAC Neutral (optional 24 VAC / VDC)

Magnet key

