

**QCC-B WITH ANALOG OUTPUT OPTION -AO TO  
LPT-A-NH3 ANALOG TRANSMITTER  
WIRING CONNECTION DRAWING  
REV-A May 10, 2018**

**BACNET CONTROLLER  
(INSTALLER SUPPLIED)**

24V not  
connected

24V **X**

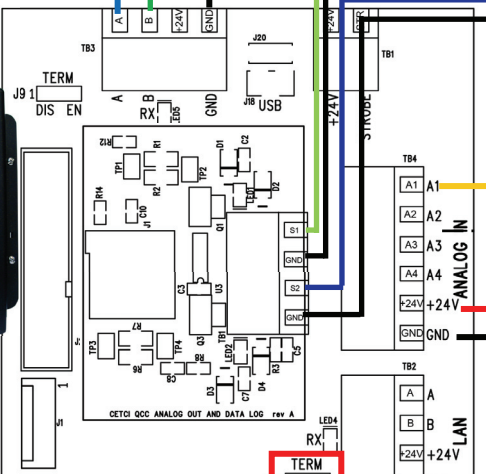
on board  
GND

TO VFD INPUT  
OR 4-20 mA  
OUTPUT

TO VFD INPUT  
OR 4-20 mA  
OUTPUT



**QCC-B-AO-L**



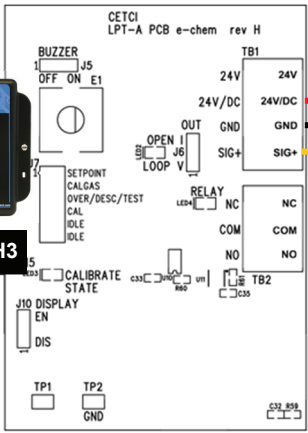
CETCI J1  
DIS EN

CETCI  
QCC MAIN PCA Rev B

LINE VOLTAGE



**LPT-A-NH3**



FIRST AND LAST  
DIGITAL DEVICE IN  
BUS REQUIRE A  
TERMINATION  
RESISTOR.

INSTALLER SUPPLIED  
LINE VOLTAGE  
(90-240 VAC, 50-60 HZ)

**THREE RELAY  
CONTROL WIRING  
TERMINALS.**

**CONNECT TO COM  
& NC.**

**DO NOT USE SOLID  
CORE WIRE. RE-  
LAYERS OPERATE  
IN "FAIL SAFE"  
CONFIGURATON.**

