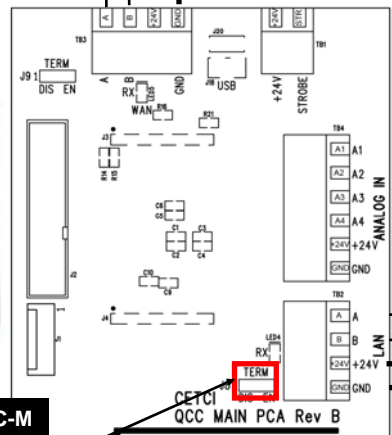


MODBUS CONTROLLER
(INSTALLER SUPPLIED)

A
B
24V
GND

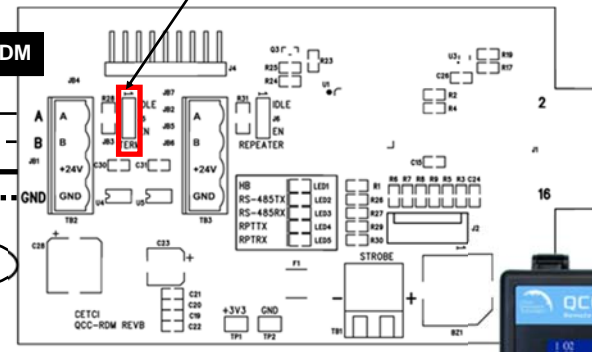
TERMINATION JUMPER IN EN POSITION
IF LAST DEVICE IN NETWORK CHAIN



QCC-M

EARTH
GROUND
SHIELD NOT
CONNECTED
(if last device)

QCC-RDM

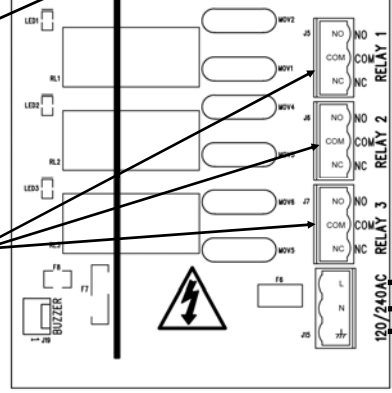


TERMINATION
JUMPER IN EN
POSITION IF FIRST
DEVICE IN
NETWORK CHAIN

THREE RELAY
CONTROL WIRING
TERMINALS.
CONNECT TO COM
& NC. DO NOT USE
SOLID CORE WIRE.

RELAYS OPERATE
IN "FAIL SAFE"
CONFIGURATON.

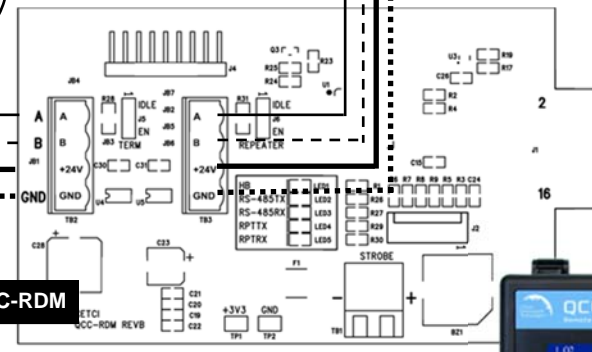
LINE VOLTAGE



INSTALLER SUPPLIED
LINE VOLTAGE
(90-240 VAC, 50-60 HZ)

L
N
GND

QCC-RDM



CRITICAL ENVIRONMENT TECHNOLOGIES CANADA INC.
www.critical-environment.com

QCC-M TO TWO QCC-RDM WIRING CONNECTION DRAWING
REV-A August 18, 2016