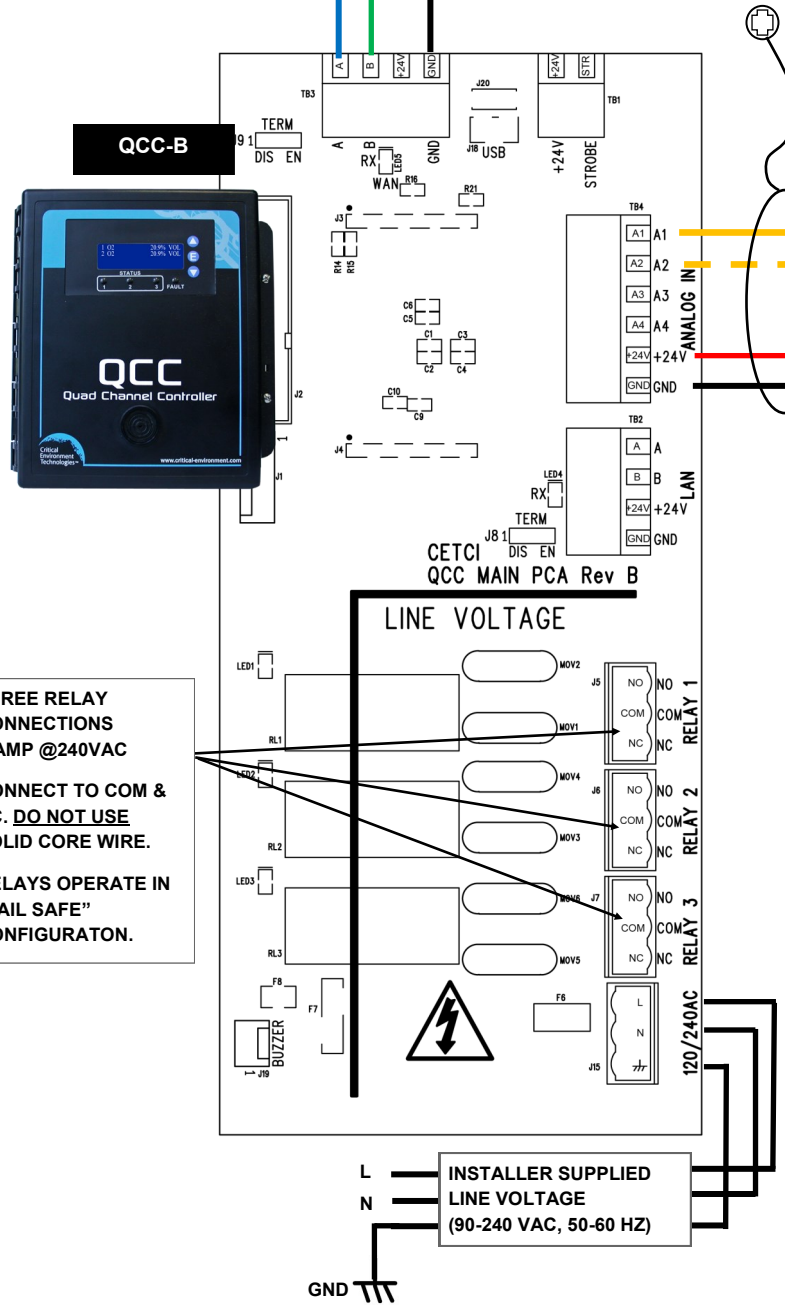


**BACNET CONTROLLER
(INSTALLER SUPPLIED)**

24V not
connected
on board

A
B
24V
GND



**EARTH GROUND SHIELD
(inside QCC enclosure)**

INDIVIDUAL 4-20 mA SIGNAL WIRE FOR EACH ANALOG CHANNEL

**DAISY-CHAIN POWER & GND
WIRES RUNNING TO ADDITIONAL
LPT-A ANALOG TRANSMITTERS.**

**NOTE THAT ONE SIGNAL WIRE
MUST BE PULLED FOR EACH
LPT-A TRANSMITTER ADDED.**

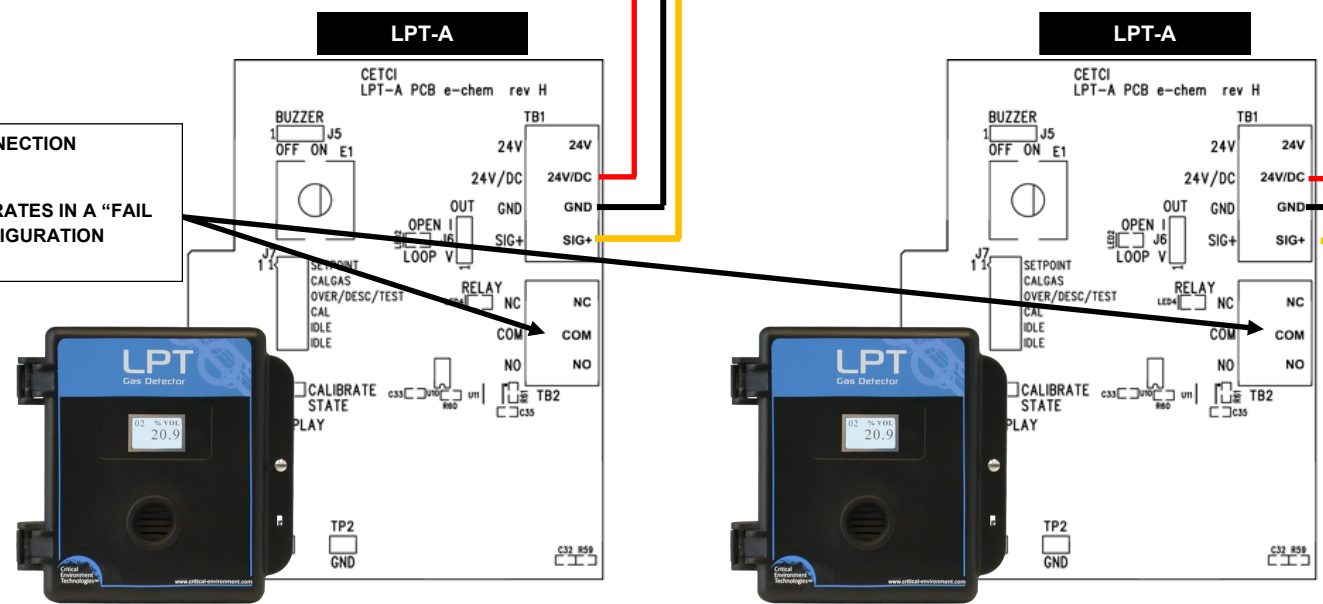
**THREE RELAY
CONNECTIONS
5-AMP @240VAC**

**CONNECT TO COM &
NC. DO NOT USE
SOLID CORE WIRE.**

**RELAYS OPERATE IN
"FAIL SAFE"
CONFIGURATON.**

**RELAY CONNECTION
2-AMP @30V**

**RELAY OPERATES IN A "FAIL
SAFE" CONFIGURATION**



CRITICAL ENVIRONMENT TECHNOLOGIES CANADA INC.
www.critical-environment.com

**QCC-B WITH LPT-A ANALOG TRANSMITTERS
WIRING CONNECTION DRAWING**

REV-A July 18, 2018