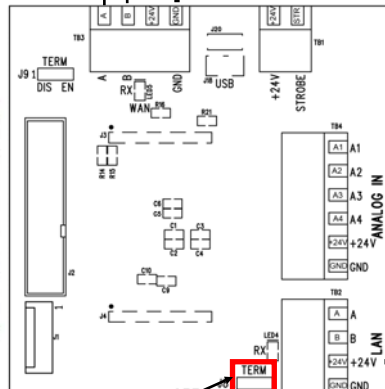


BACNET CONTROLLER
(INSTALLER SUPPLIED)

A
B
24V
GND



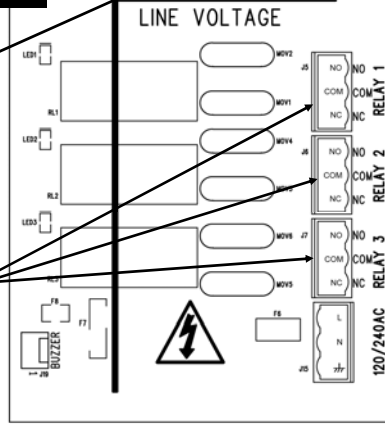
QCC-B

QCC MAIN PCA Rev B

TERMINATION
JUMPER IN EN
POSITION IN
FIRST
DEVICE IN
NETWORK CHAIN

THREE RELAY
CONTROL WIRING
TERMINALS.
CONNECT TO COM
& NC. DO NOT USE
SOLID CORE WIRE.

RELAYS OPERATE
IN "FAIL SAFE"
CONFIGURATON.



EARTH
GROUND
SHIELD NOT
CONNECTED
(if last device)

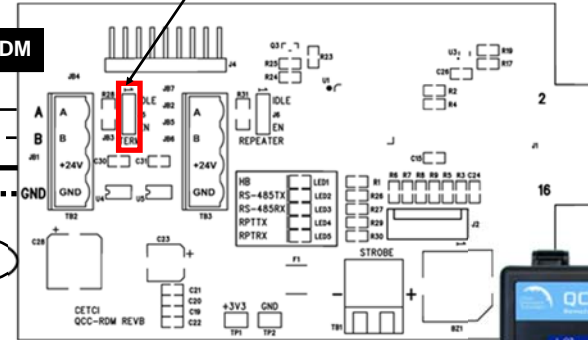
EARTH GROUND
SHIELD (inside QCC
enclosure)

INSTALLER SUPPLIED
LINE VOLTAGE
(90-240 VAC, 50-60 HZ)

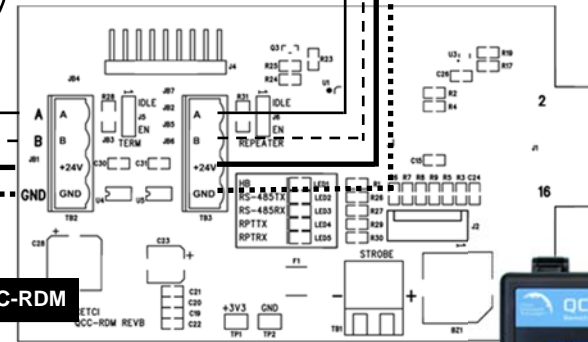
L
N
GND

TERMINATION JUMPER IN EN POSITION
IF LAST DEVICE IN NETWORK CHAIN

QCC-RDM



QCC-RDM



CRITICAL ENVIRONMENT TECHNOLOGIES CANADA INC.
www.critical-environment.com

QCC-B TO TWO QCC-RDM WIRING CONNECTION DRAWING
REV-A August 18, 2016