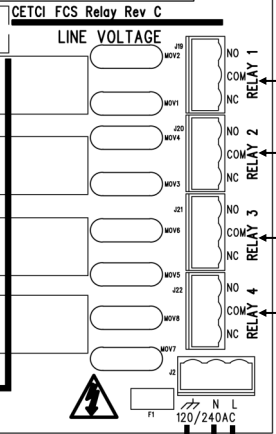


EARTH GROUND SHIELD (inside FCS enclosure)

Repeat wiring as above for the second -AI board for CH 5 through CH 8

FIRST DEVICE IN BUS REQUIRES TERMINATION RESISTOR.

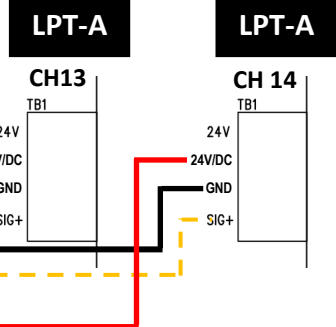
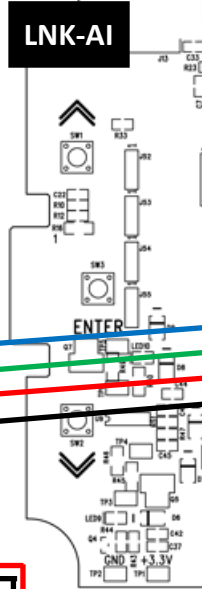


L N GND  
INSTALLER SUPPLIED LINE VOLTAGE (90-240 VAC, 50-60 HZ)

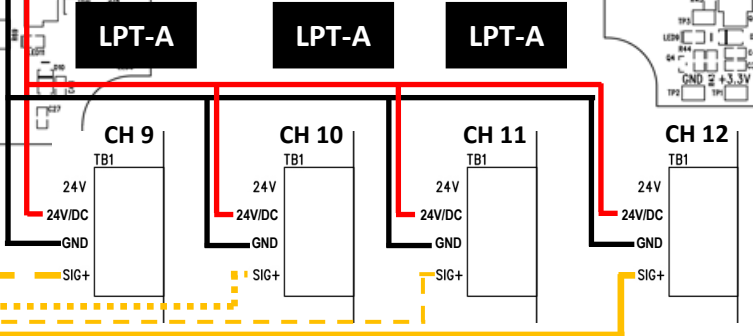
FOUR RELAY CONTROL WIRING TERMINALS.

CONNECT TO COM & NC. DO NOT USE SOLID CORE WIRE.

RELAYS OPERATE IN "FAIL SAFE" CONFIGURATON.



LAST DEVICE IN BUS REQUIRES TERMINATION RESISTOR.



FCS-M WITH OPTION -2AI TO EIGHT REMOTE LPT-A (OR AST) ANALOG TRANSMITTERS AND TWO LNK-AI ANALOG INPUT DEVICES FOR SIX ADDITIONAL LPT-A WIRING CONNECTION DRAWING