

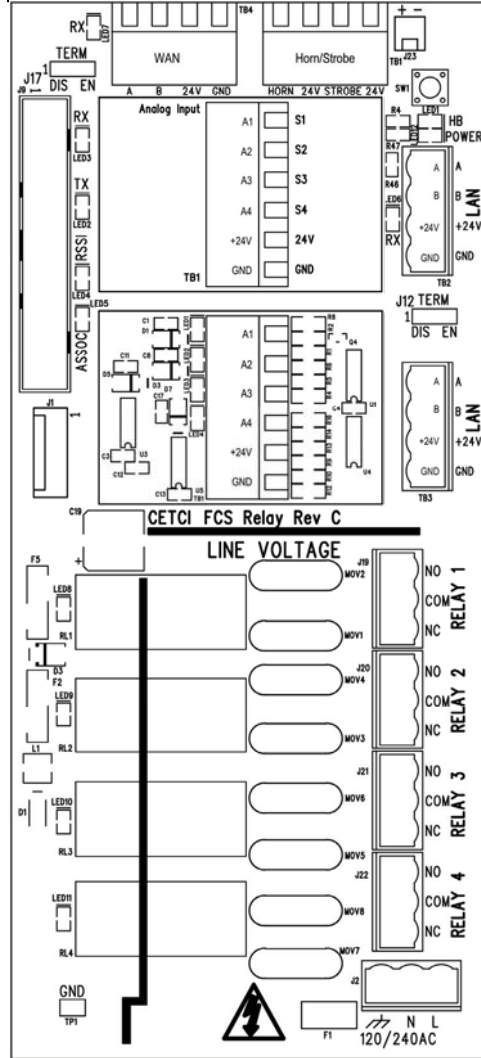
FCS

THIS FCS + LPT-M COMBINATION MAKES (UP TO) A 128 CHANNEL GAS DETECTION MONITORING SYSTEM FOR VEHICLE EXHAUST GAS DETECTION APPLICATIONS.

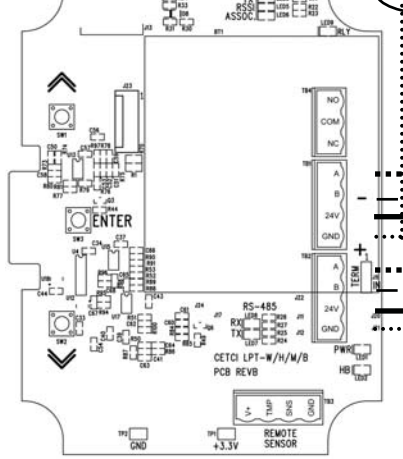
EARTH GROUND SHIELD (inside FCS enclosure)

EARTH GROUND SHIELD NOT CONNECTED (if last device)

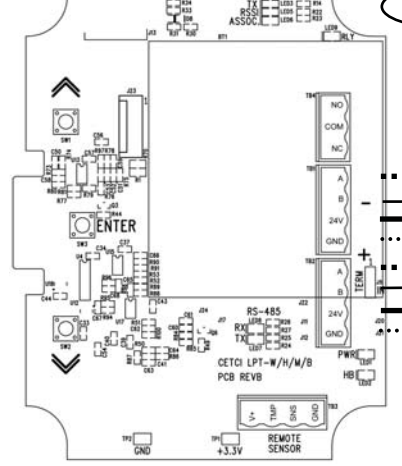
DAISY-CHAIN WIRES RUNNING TO ADDITIONAL LPT-P MODBUS TRANSMITTERS.
FIRST AND LAST DEVICE IN BUS REQUIRE A TERMINATION RESISTOR.



LPT-M

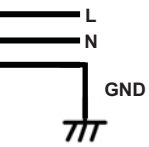


LPT-M



FOUR RELAY CONTROL WIRING TERMINALS.
CONNECT TO COM & NC. DO NOT USE SOLID CORE WIRE.
RELAYS OPERATE IN "FAIL SAFE" CONFIGURATON.

INSTALLER SUPPLIED LINE VOLTAGE (90-240 VAC, 50-60 HZ)



CRITICAL ENVIRONMENT TECHNOLOGIES CANADA INC.
www.critical-environment.com
FCS TO REMOTE LPT-M DIGITAL TRANSMITTER WIRING CONNECTION DRAWING
REV-A February, 2017