

QCC-M

EARTH GROUND SHIELD (inside QCC enclosure)

INDIVIDUAL 4-20 mA SIGNAL WIRE FOR EACH ANALOG CHANNEL

THREE RELAY CONTROL WIRING TERMINALS.
 CONNECT TO COM & NC. DO NOT USE SOLID CORE WIRE.
 RELAYS OPERATE IN "FAIL SAFE" CONFIGURATON.

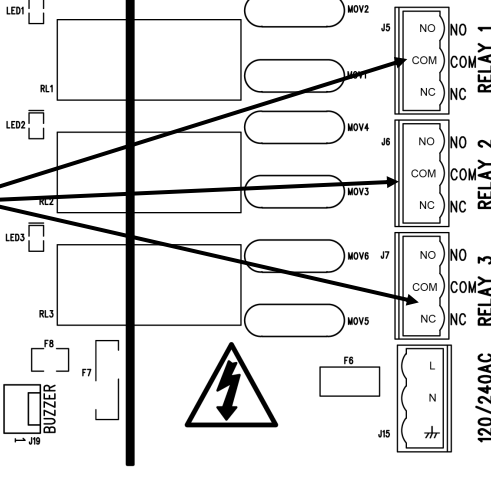
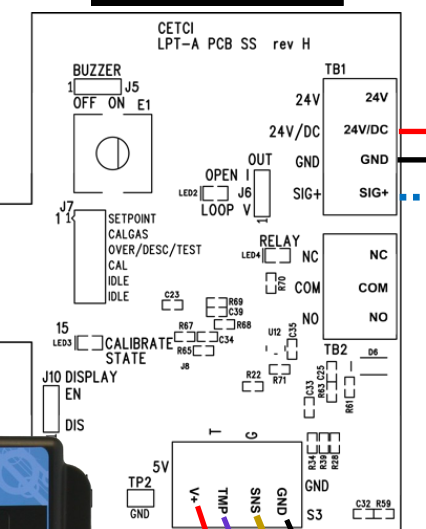
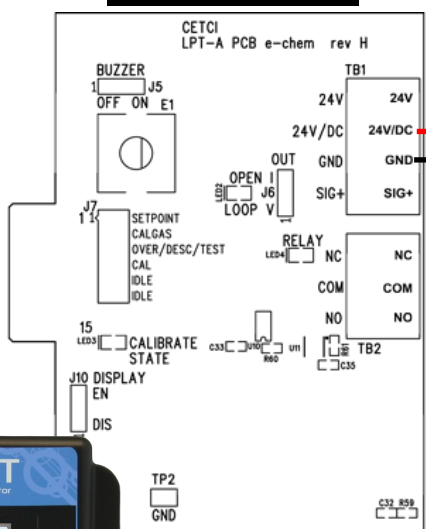
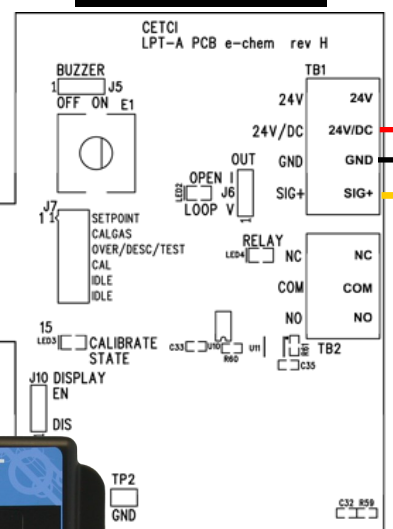
LPT-A-CC3H8-100

LPT-A-CH2-100

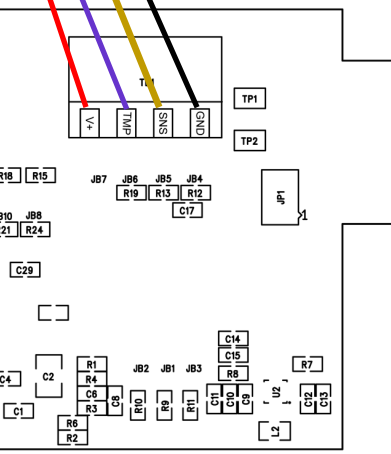
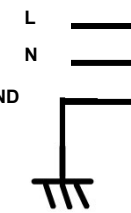
LPT-A-R

LINE VOLTAGE

CETCI QCC MAIN PCA Rev B



INSTALLER SUPPLIED LINE VOLTAGE (90-240 VAC, 50-60 HZ)



CRITICAL ENVIRONMENT TECHNOLOGIES CANADA INC.
 www.critical-environment.com

QCC-M TO TWO LPT-A TRANSMITTERS WITH INTERNAL COMBUSTIBLE SENSOR AND ONE LPT-A WITH REMOTE ESH-A COMBUSTIBLE SENSOR WIRING CONNECTION DRAWING

REV-A September 19, 2017