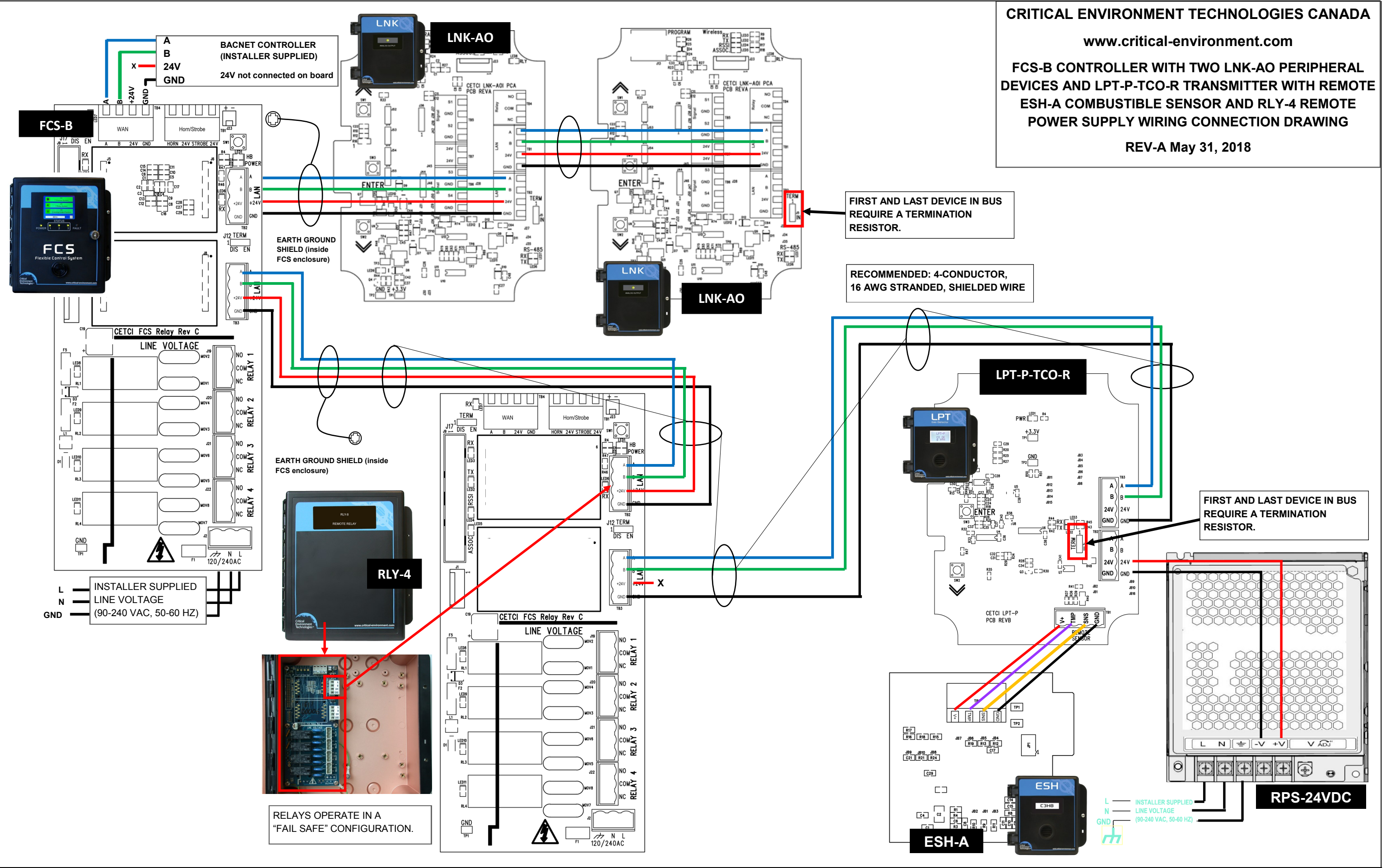


FCS-B CONTROLLER WITH TWO LNK-AO PERIPHERAL DEVICES AND LPT-P-TCO-R TRANSMITTER WITH REMOTE ESH-A COMBUSTIBLE SENSOR AND RLY-4 REMOTE POWER SUPPLY WIRING CONNECTION DRAWING

REV-A May 31, 2018



FIRST AND LAST DEVICE IN BUS REQUIRE A TERMINATION RESISTOR.

RECOMMENDED: 4-CONDUCTOR, 16 AWG STRANDED, SHIELDED WIRE

FIRST AND LAST DEVICE IN BUS REQUIRE A TERMINATION RESISTOR.

RELAYS OPERATE IN A "FAIL SAFE" CONFIGURATION.

L — INSTALLER SUPPLIED
N — LINE VOLTAGE
GND — (90-240 VAC, 50-60 HZ)

RPS-24VDC